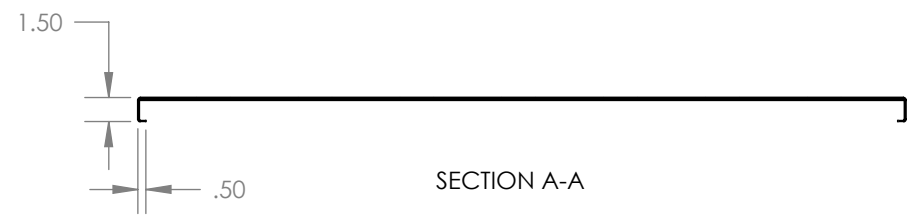
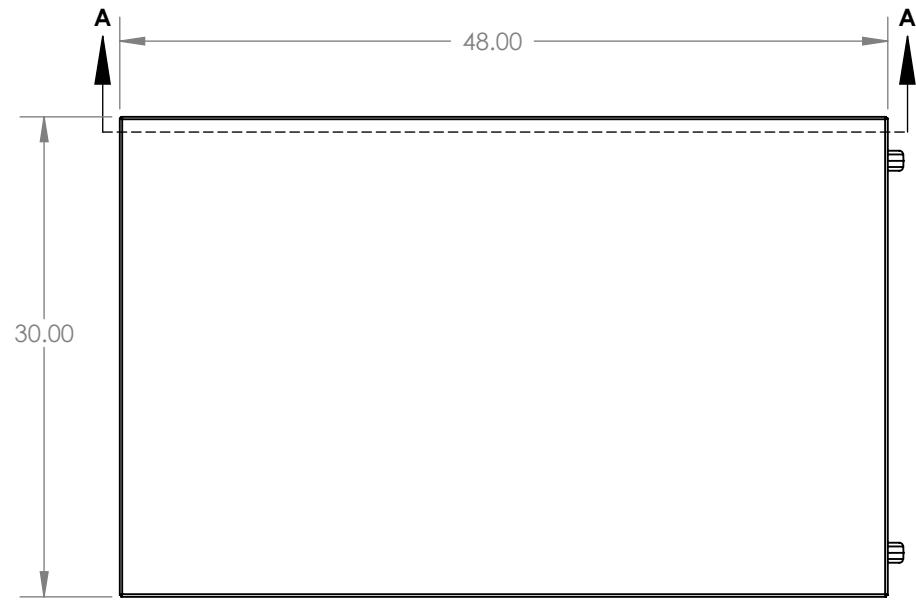


APPROVED

Print Name:

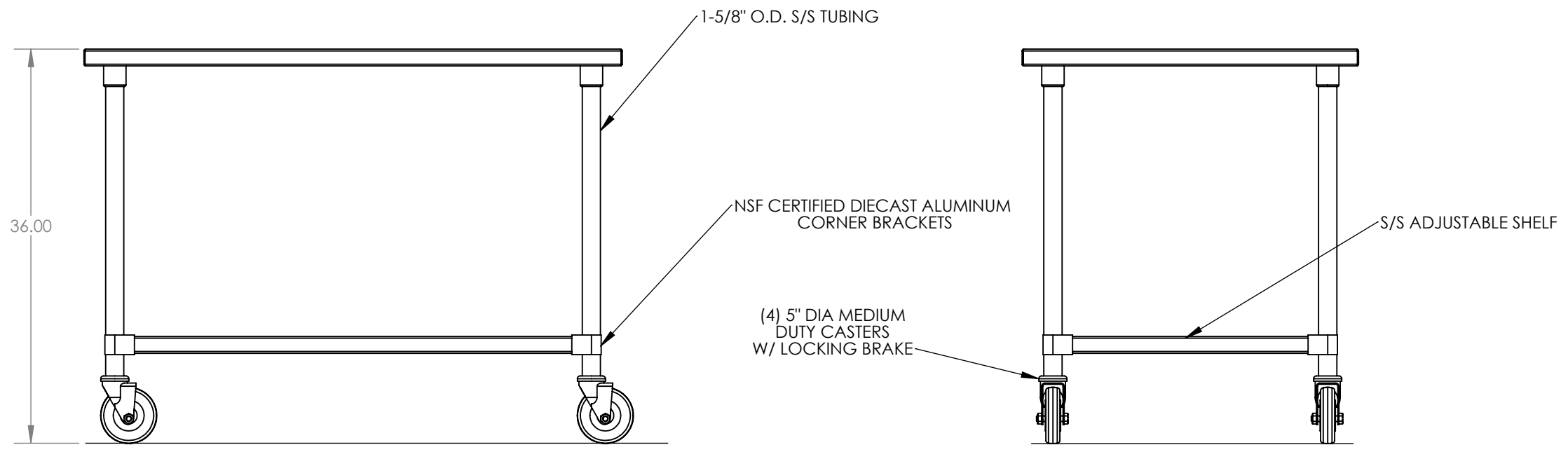
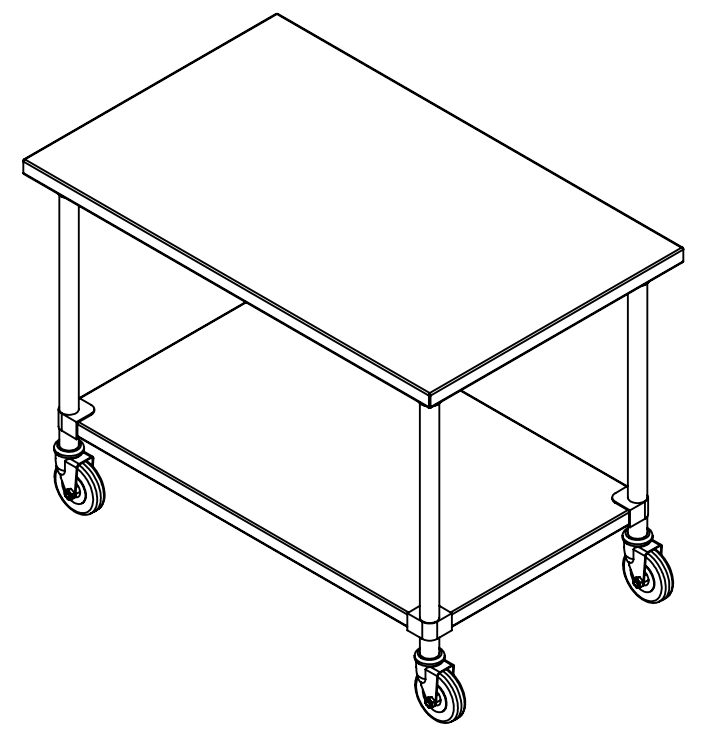
Date:

Signature:



NOTE: ALL WELDS / CORNERS GROUND SMOOTH & POLISHED

NOTE: 14 GA STAINLESS STEEL T316
#4 FINISH MATL CONSTRUCTION



This print is the property of TBJ Incorporated. The information contained herein is confidential, it is not transferable. It is furnished with the clear understanding that it is not to be traced, reproduced or used in any process of manufacturing without written permission from the owner and is returnable upon request. Any infringement upon the patent rights shown herein, whether in whole or part, will be severely prosecuted.

TBJ Inc.
1671 Orchard Drive, Chambersburg, PA 17201
phone 717-261-9700 www.tbjinc.com
CONFIDENTIAL DOCUMENT

TABLE 30-48-36

REF DWG: R08177-3

Material: Assembly

		4/6/09	NS	SIZE	PART NO.	REV.
LTR	DESCRIPTION	DATE	BY	B	1434-3	#
SCALE:		WEIGHT: 136.88		SHEET 1 OF 1		