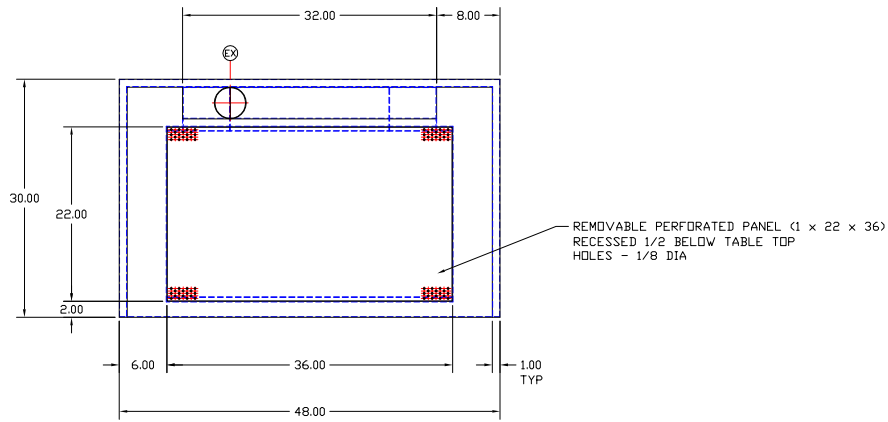


APPROVED

PRINT NAME:

DATE:

SIGNATURE:

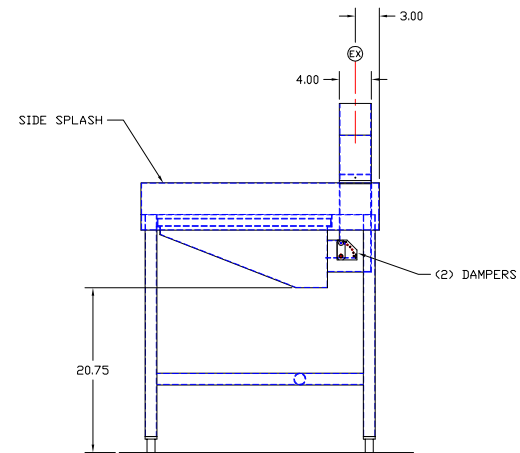
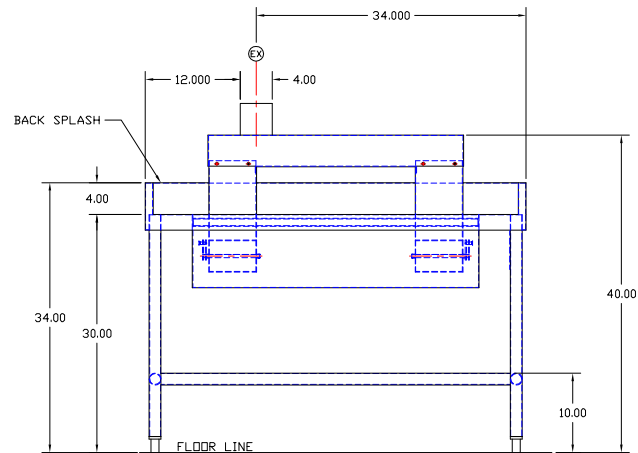


UTILITY REQUIREMENTS

(EX) — EXHAUST - 4" OUTSIDE DIA., 200 CFM

NOTE:

MATL: 16 GA T304 #4 FINISH STAINLESS STEEL



This print is the property of TBJ Incorporated. The information contained herein is confidential, it is not transferable. It is furnished with the clear understanding that it is not to be traced, reproduced or used in any other process of manufacturing without written permission from the owner and is returnable upon request.

				TBJ INC		1671 ORCHARD DRIVE CHAMBERSBURG, PA 17201	
				SCALE 1-1/2"=1'-0"	DRAWN BY BSC		
				REF DWG - R05059	DATE 9-9-08		
				30-48 DD WORK STATION			
LET	REVISION	BY	DATE	ROUGH-IN ASSEMBLY	R08182		