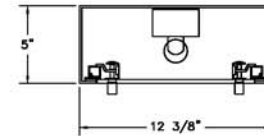


UTILITY REQUIREMENTS

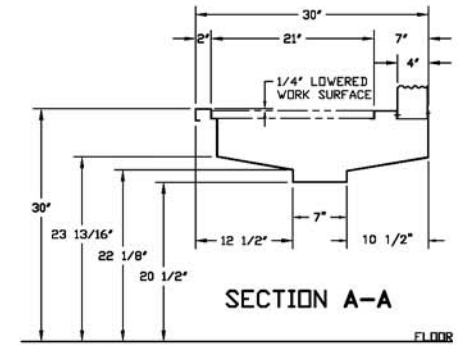
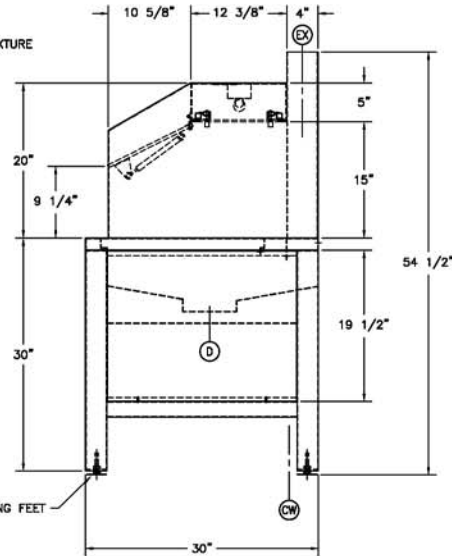
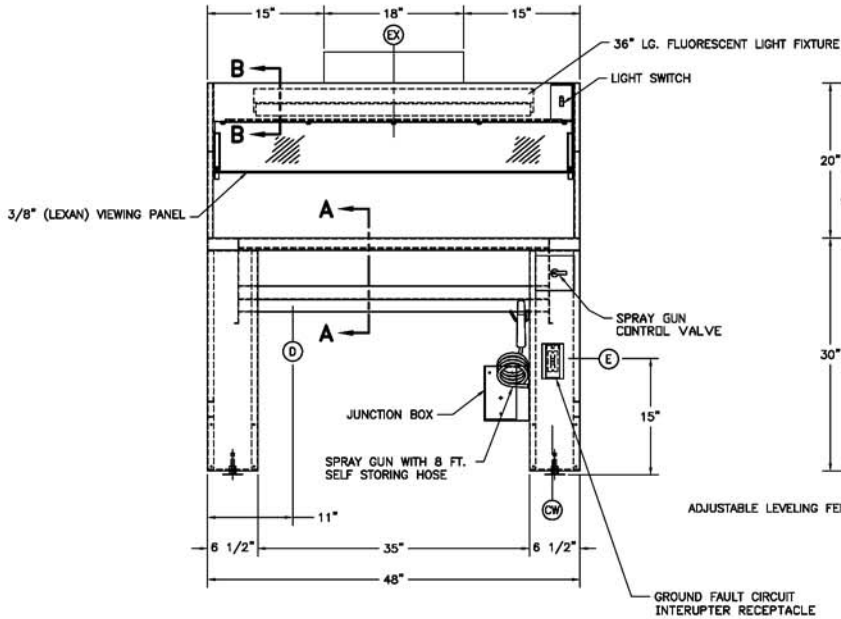
- ⓔ --- ELECTRICAL - 120 V., 1 PH., 60 Hz., 35 AMPS
- ⓔⓧ --- EXHAUST - 4" x 18" OUTSIDE DIMS. - 465 CFM
- ⓑ Ⓢ --- COLD WATER - 3/4" I.P.S.
- ⓑ ⓓ --- DRAIN - 1-1/2" I.P.S.

NOTE:
ALL S/S TYPE 316 #4 SATIN FINISH

This print is the property of TBJ Incorporated. The information contained herein is confidential, it is not transferable. It is furnished with the clear understanding that it is not to be traced, reproduced or used in any process of manufacturing without written permission from the owner and is returnable upon request. Any infringement upon the patent rights shown herein, whether in whole or part, will be severely prosecuted.



SECTION B-B
SCALE: 6"=1'-0"



SECTION A-A

		TBJ INC		1671 ORCHARD DRIVE CHAMBERSBURG, PA 17201	
		SCALE 1-1/2"=1'-0"		DRAWN BY ALE	
		REF DWG - R08104		DATE 12-23-02	
B	ADDED COLD WATER & DRAIN	JEG	6-3-03	30-48 DD TISSUE TRIM	
A	REVISED	CWF	2-3-03		
LET	REVISION	BY	DATE	ROUGH-IN ASSY	R02243