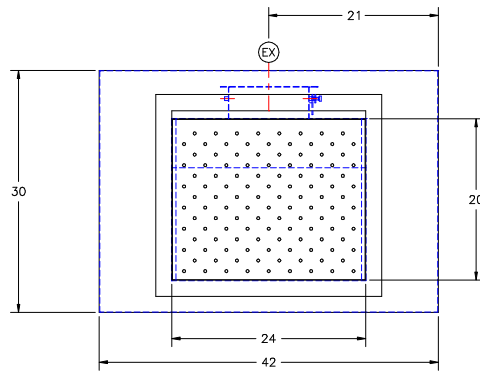


This print is the property of TBJ Incorporated.
 The information contained herein is confidential,
 it is not transferable. It is furnished with the clear
 understanding that it is not to be traced, reproduced
 or used in any process of manufacturing without
 written permission from the owner and is returnable
 upon request. Any infringement upon the patent
 rights shown herein, whether in whole or part, will
 be severely prosecuted.

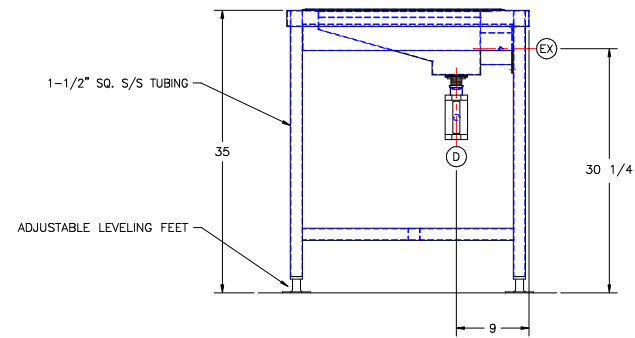
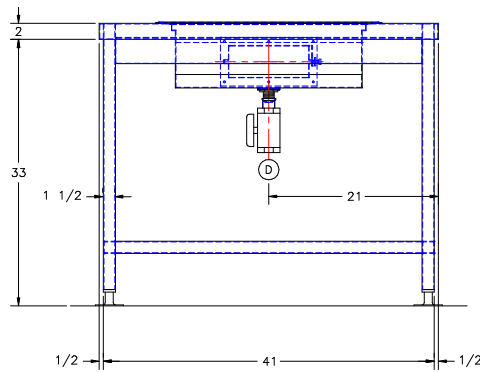


UTILITY REQUIREMENTS

- (EX) — EXHAUST — 4.0" X 10.0", 300 CFM @ 1.5 S.P.
- (D) — DRAIN — 1-1/2" I.P.S.

APPROVED

PRINT NAME:
 DATE:
 SIGNATURE:



		TBJ INC		1671 ORCHARD DRIVE CHAMBERSBURG, PA 17201	
		SCALE 1-1/2"=1'-0"		DRAWN BY ALE	
				DATE 12-29-03	
A	UPDATED AIRFLOW REQUIREMENTS	ALE	2-10-04	S/S COUNTER W/ 22-18 (DROP-IN) SINK	
LET	REVISION	BY	DATE	ROUGH-IN ASSY	R03177