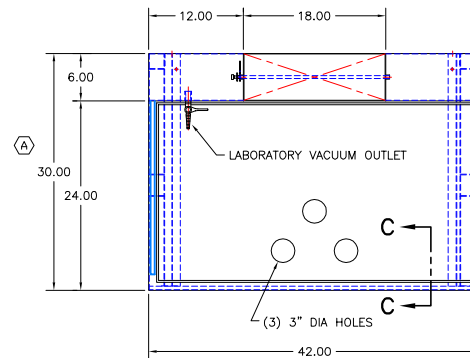


UTILITY REQUIREMENTS

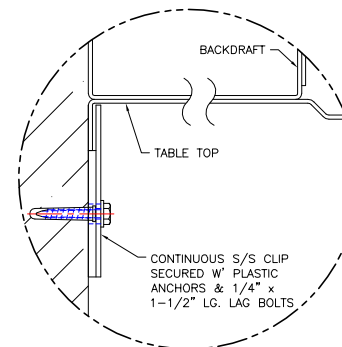
- (E) — ELECTRICAL — 115 V., 1 PH., 60 Hz., 20 AMP SERVICE
- (EX) — LABORATORY VACUUM — 3/4" COPPER TUBING
- (V) — EXHAUST — 6" x 18" OUTSIDE DIMS.

(INCLUDED OPTIONS) - (2) GROUND FAULT CIRCUIT INTERRUPTER (GFCI) RECEPTACLES
 - LABORATORY GRADE VACUUM CONNECTION FITTING
 (A) - LEXAN SIDE SHIELDS W/ EACH SIDE @ 1/2" THK.

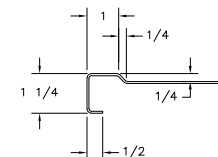


APPROVED

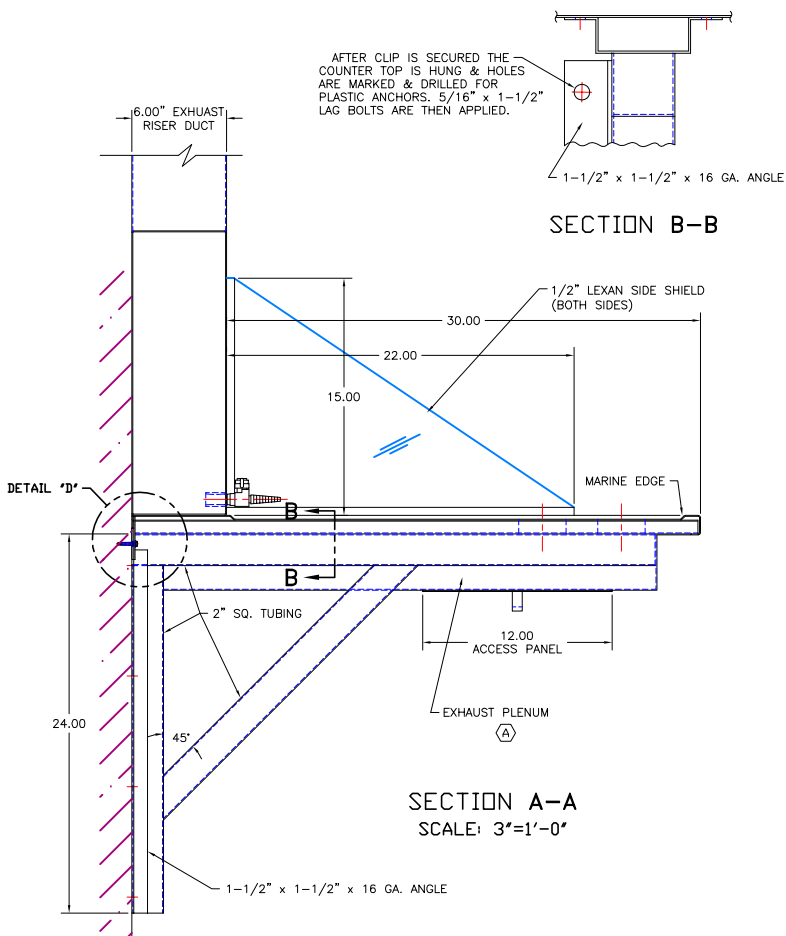
PRINT NAME: _____
 DATE: _____
 SIGNATURE: _____



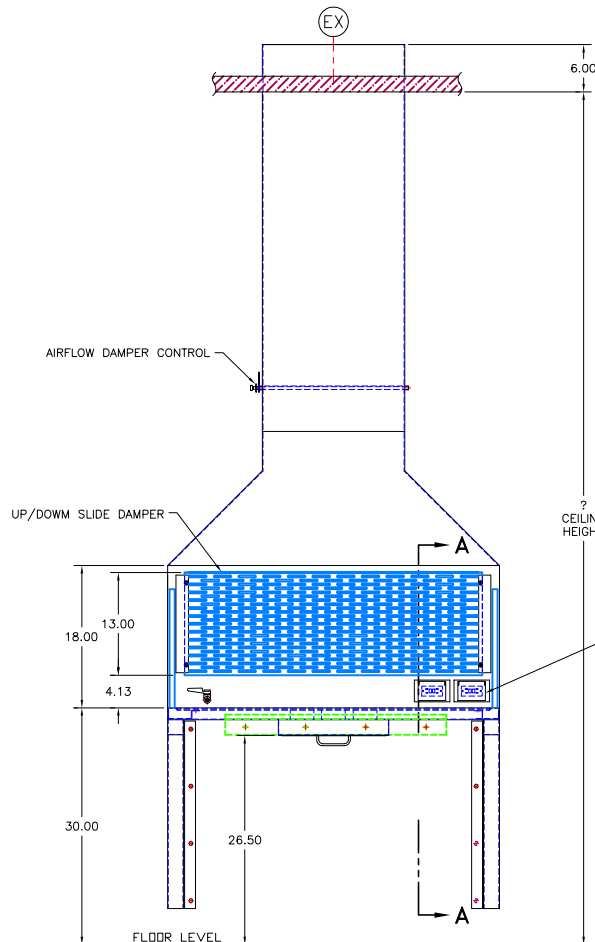
DETAIL "D"



SECTION C-C



SECTION A-A
 SCALE: 3"=1'-0"



A	UPDATED PER CUSTOMER'S COMMENTS & REQUEST	ALE	5-5-03
LET	REVISION	BY	DATE
TBJ INC		1671 ORCHARD DRIVE CHAMBERSBURG, PA 17201	
SCALE 1-1/2"=1'-0"		DRAWN BY	ALE
		DATE	6-12-02
36-42 WALL MOUNTED SURGURY TABLE			
BACKDRAFT		R02106	