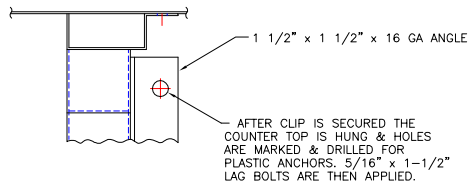
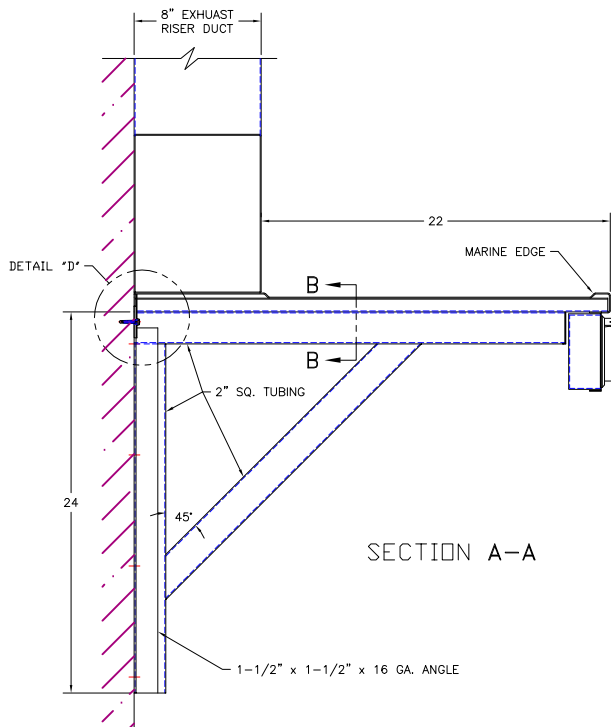


UTILITY REQUIREMENTS

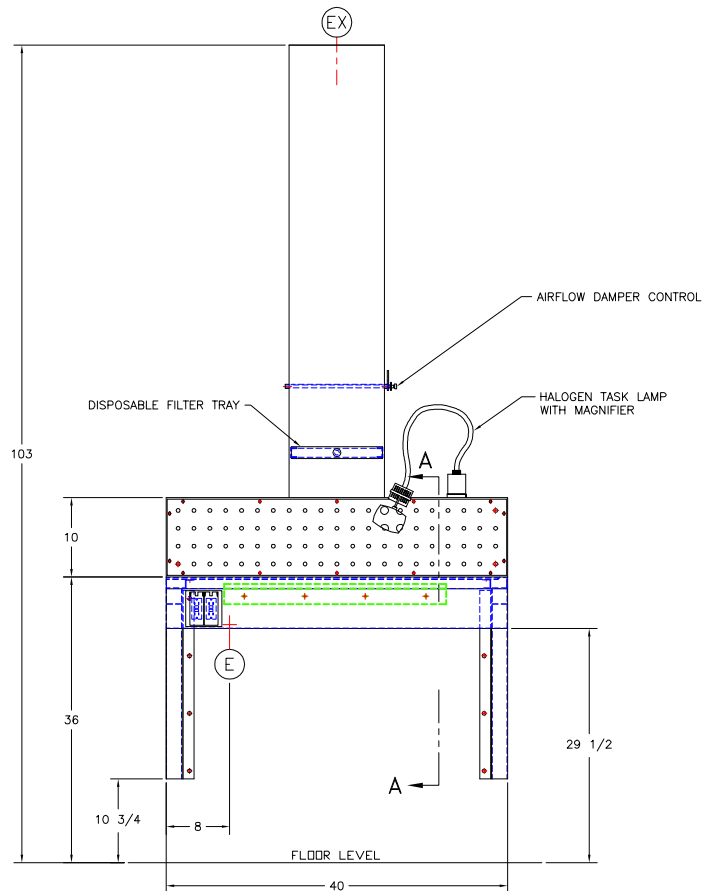
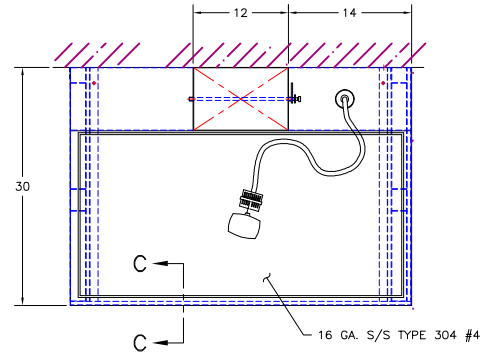
- (E) — ELECTRICAL — 115 V., 1 PH., 60 Hz., 15 AMP SERVICE
- (EX) — EXHAUST — 8" x 12", 500 CFM



SECTION B-B

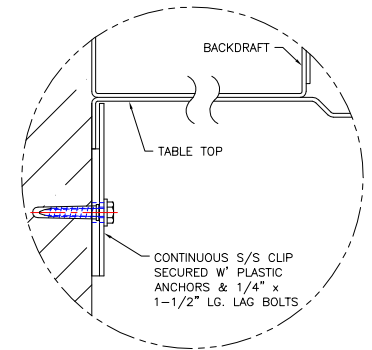


SECTION A-A

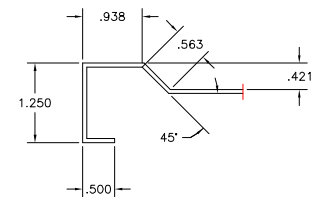


APPROVED

PRINT NAME:  
DATE:  
SIGNATURE:



DETAIL "D"



SECTION C-C

LET	REVISION	BY	DATE
SCALE	NTS	DRAWN BY	CWF
		DATE	10-16-07
BACKDRAFT COUNTER TOP ASSY		R07196	
ROUGH-IN ASSY		R07196	