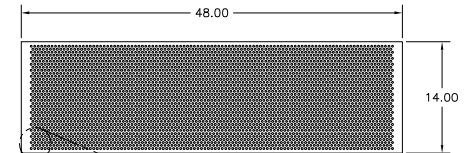
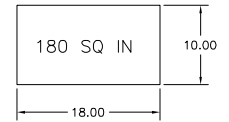


UTILITY REQUIREMENTS

- ⓔ — ELECTRICAL — 115 V., 1 PH., 60 Hz., 20 AMP.
- ⓔX — SELF-CONTAINED — 300 CFM @ 240 FPM

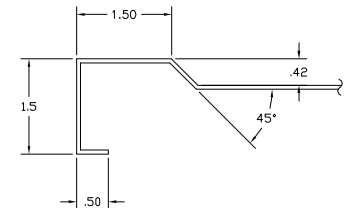
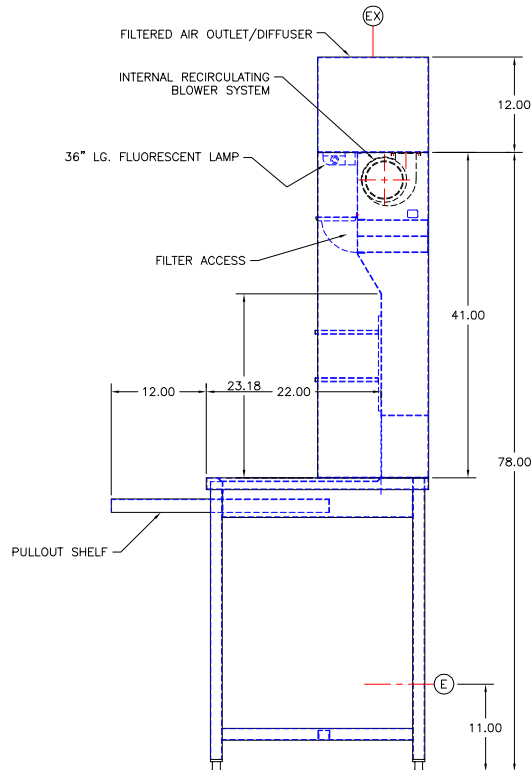
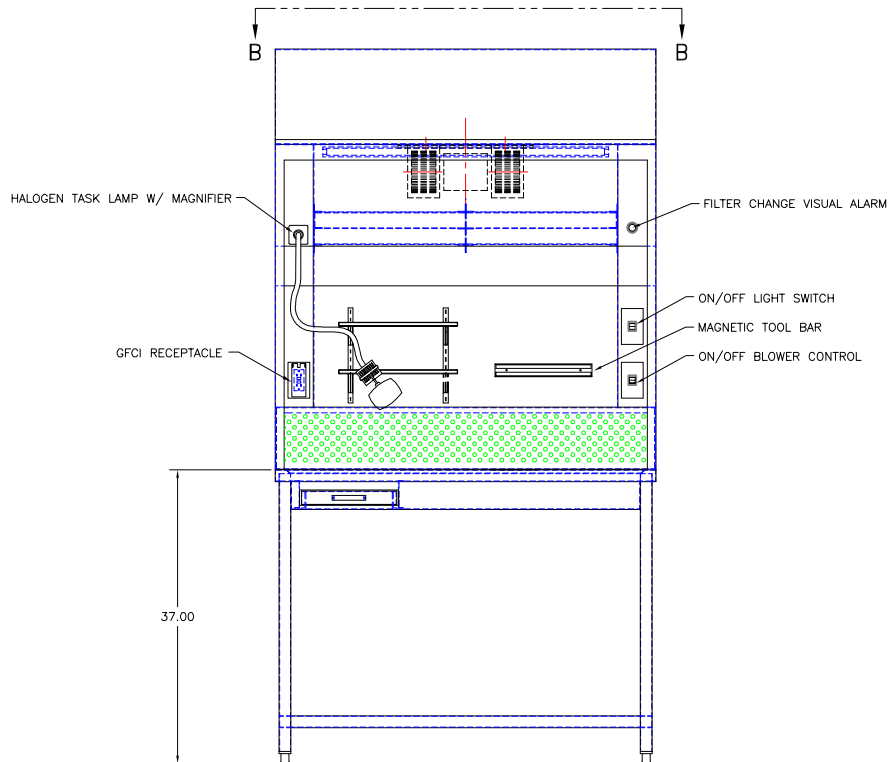
APPROVED

PRINT NAME: \_\_\_\_\_  
 DATE: \_\_\_\_\_  
 SIGNATURE: \_\_\_\_\_



VIEW B-B

(3658) 1/4" DIA HOLE ON .4375 STG. CTRS = 179.25 SQ IN



SECTION A-A  
SCALE: FULL

This print is the property of TBJ Incorporated. The information contained herein is confidential, it is not transferable. It is furnished with the clear understanding that it is not to be traced, reproduced or used in any other process of manufacturing without written permission from the owner and is returnable upon request. Any infringement upon the patent rights shown herein, whether in whole or part, will be severely prosecuted.

C	ADDED EXHAUST INFORMATION	CWF	9-24-07
B	ADDED A DIFFUSER GRID TO EXHAUST OUTLET	ALE	9-19-07
A	ADDED NOTES & SECTION VIEW	ALE	9-18-07
LET	REVISION	BY	DATE
<b>TBJ INC</b>		1671 ORCHARD DRIVE CHAMBERSBURG, PA 17201	
SCALE	1-1/2"=1'-0"	DRAWN BY	ALE
REF DWG	-	DATE	9-13-07
<b>28-48 BD NECROPSY GROSSING STATION</b>			
ROUGH-IN ASSEMBLY		R07175	