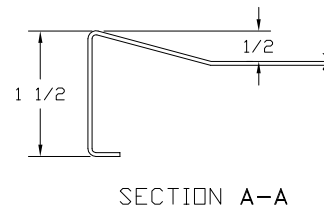
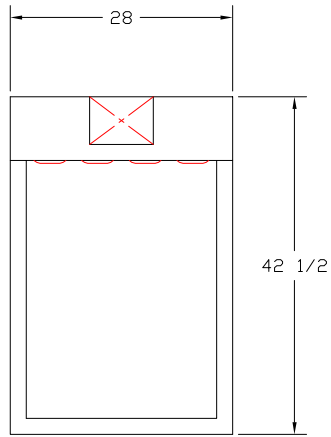
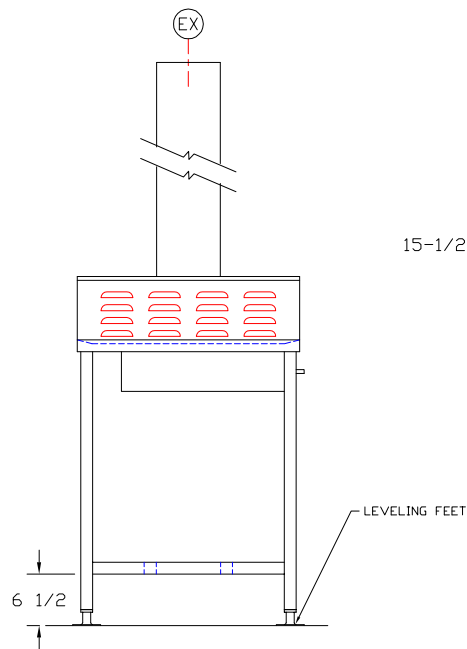


UTILITY REQUIREMENTS

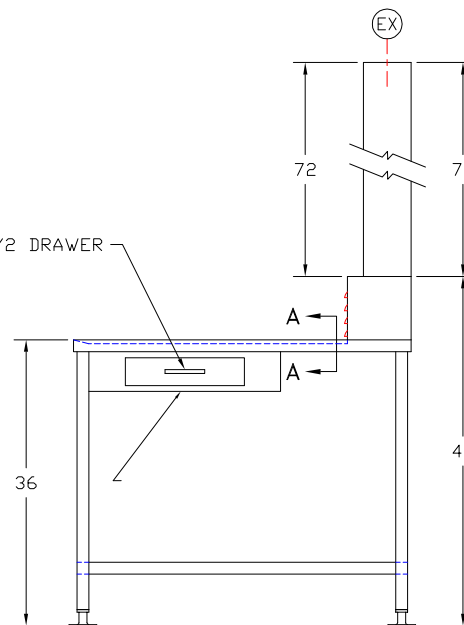
⊙ EX — EXHAUST — 6" x 8" DUCT



APPROVED



15-1/2 x 19 x 3-1/2 DRAWER



This print is the property of TBJ Incorporated. The information contained herein is confidential, it is not transferable. It is furnished with the clear understanding that it is not to be traced, reproduced or used in any other process of manufacturing without written permission from the owner and is returnable upon request. Any infringement upon the patent rights shown herein, whether in whole or part, will be severely prosecuted.

SCALE NTS		DRAWN BY SRP	
REF: R95048		DATE 12-14-95	
28-42 BACKDRAFT WORKSTATION			
LET	REVISION	BY	DATE
			ROUGH-IN
			R95051