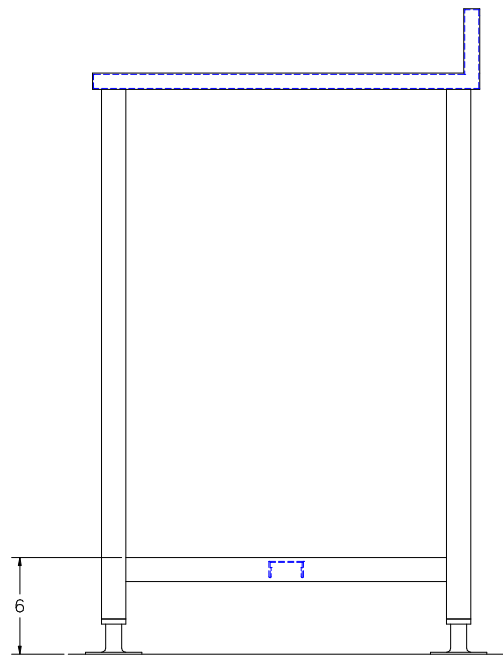
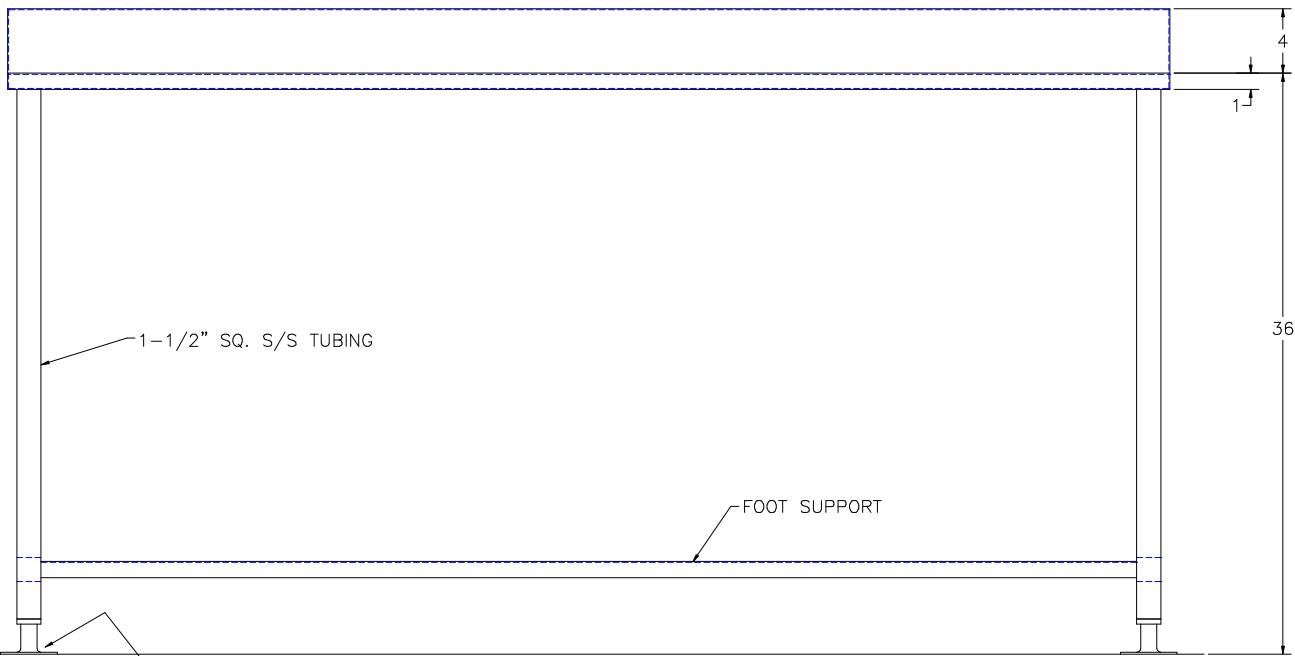
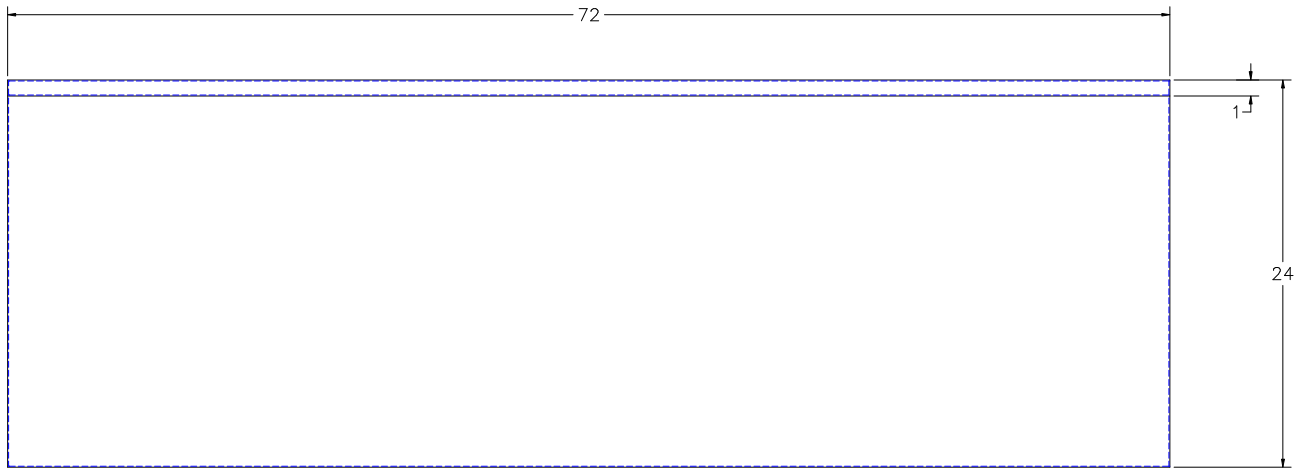


This print is the property of TBJ Incorporated. The information contained herein is confidential, it is not transferable. It is furnished with the clear understanding that it is not to be traced, reproduced or used in any other process of manufacturing without written permission from the owner and is returnable upon request. Any infringement upon the patent rights shown herein, whether in whole or part, will be severely prosecuted.

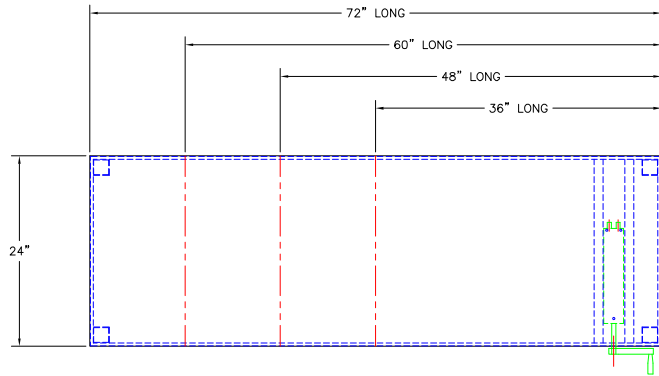


1-1/2" SQ. S/S TUBING

FOOT SUPPORT

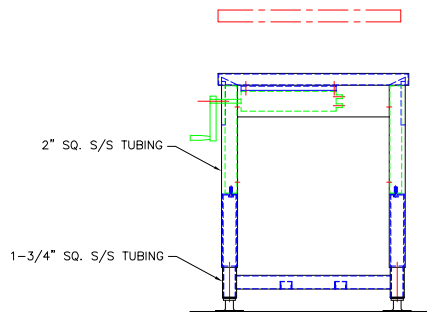
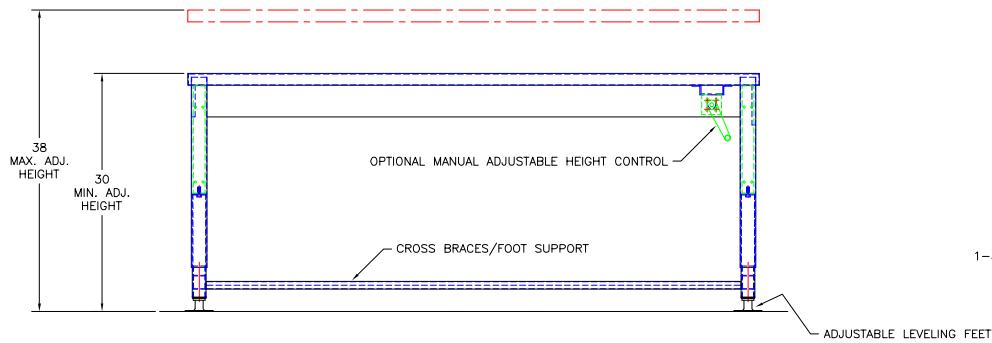
ADJUSTABLE LEVELING FEET

		<b>TBJ INC</b>		1671 ORCHARD DRIVE CHAMBERSBURG, PA 17201	
		SCALE 3"=1'-0"		DRAWN BY ALE	
				DATE 10-15-04	
		STAINLESS STEEL TABLE			
LET	REVISION	BY	DATE	24' x 72'	R04168



MODEL	LENGTH	WIDTH	HEIGHT
24-36 WT	36" (3'-0")	24"	30" - 38"
24-48 WT	48" (4'-0")	24"	30" - 38"
24-60 WT	60" (5'-0")	24"	30" - 38"
24-72 WT	72" (6'-0")	24"	30" - 38"

- OPTIONS**
- Marine edge in lieu of flat top
  - Backsplash
  - Storage drawers
  - Swivel Casters with brakes
  - Manual height adjustment



APPROVED

PRINT NAME: \_\_\_\_\_  
 DATE: \_\_\_\_\_  
 SIGNATURE: \_\_\_\_\_

This print is the property of TBJ Incorporated. The information contained herein is confidential. It is not transferable. It is furnished with the clear understanding that it is not to be traced, reproduced or used in any other process of manufacturing without written permission from the owner and is returnable upon request. Any infringement upon the patent rights shown herein, whether in whole or part, will be severely prosecuted.

		<b>TBJ INC</b>		1671 ORCHARD DRIVE CHAMBERSBURG, PA 17201	
SCALE	NTS	DRAWN BY	ALE		
REF DWG	R02199	DATE	7-27-04		
<b>24 WT SERIES WORK TABLES</b>					
LET	REVISION	BY	DATE	ROUGH-IN ASSEMBLY	R04125