

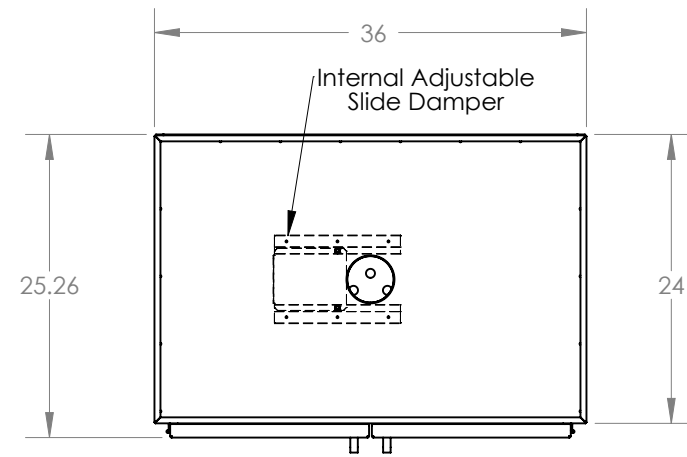
This print is the property of TBJ Incorporated. The information contained herein is confidential, it is not transferable. It is furnished with the clear understanding that it is not to be traced, reproduced or used in any process of manufacturing without written permission from the owner and is returnable upon request. Any infringement upon the patent rights shown herein, whether in whole or part, will be severely prosecuted.

TBJ Inc.
 1671 Orchard Drive, Chambersburg, PA 17201
 phone 717-261-9700 www.tbjinc.com
CONFIDENTIAL DOCUMENT

Vented Storage Cabinet

Material: Assembly

LTR	DESCRIPTION	DATE	BY	SIZE	PART NO.	REV. #
	REVISIONS			B	Vented Storage Cabinet 24-36 VSC_1395-1	
				SCALE:	WEIGHT: 427.52	SHEET 1 OF 5



UTILITY REQUIREMENTS

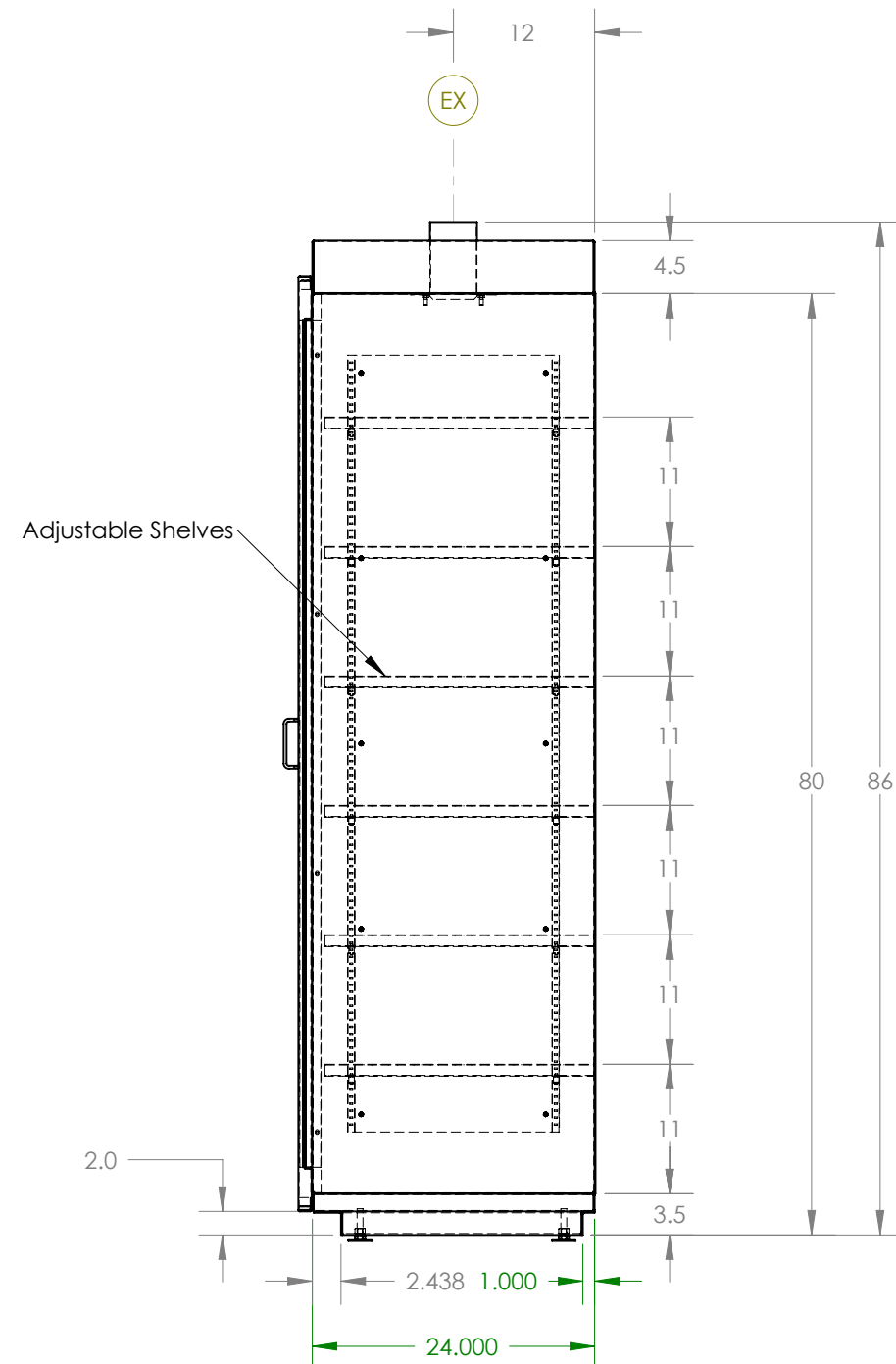
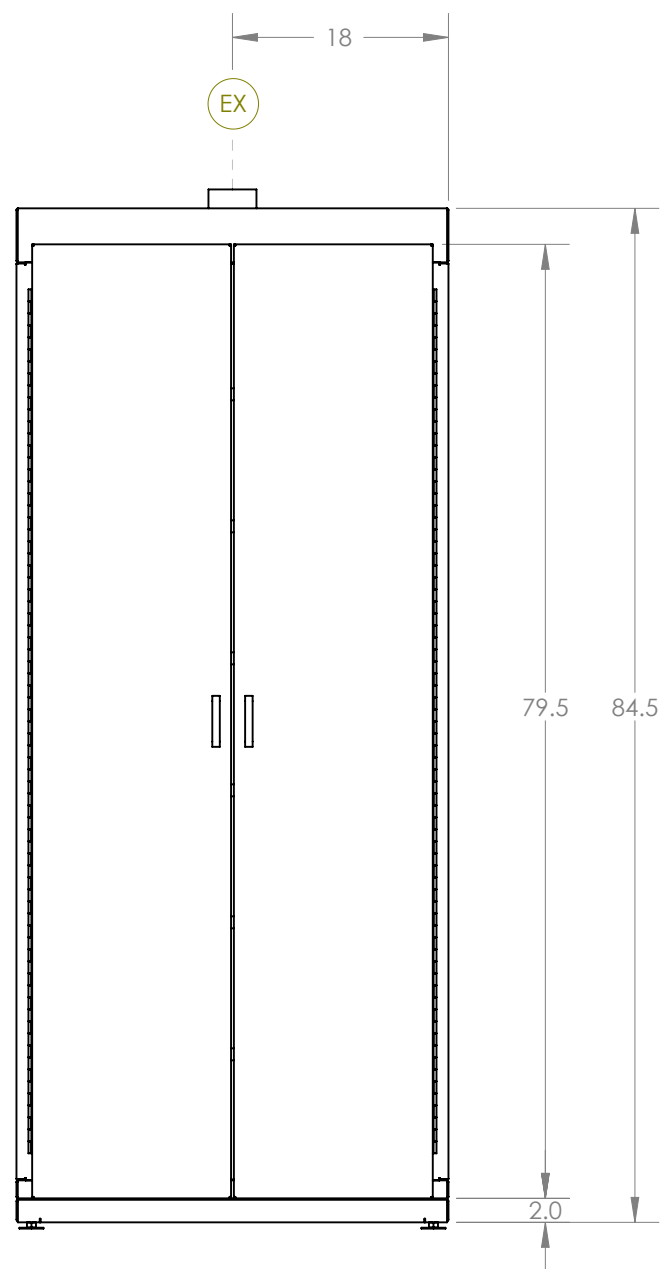
EX - Exhaust - 4" Outside Dia. 60 CFM@ 0.1 S.P.

APPROVED

Print Name:

Date:

Signature:



Type 304 Stainless Steel Construction

This print is the property of TBJ Incorporated. The information contained herein is confidential, it is not transferable. It is furnished with the clear understanding that it is not to be traced, reproduced or used in any process of manufacturing without written permission from the owner and is returnable upon request. Any infringement upon the patent rights shown herein, whether in whole or part, will be severely prosecuted.

TBJ Inc.		
1671 Orchard Drive, Chambersburg, PA 17201 phone 717-261-9700 www.tbjinc.com		
CONFIDENTIAL DOCUMENT		
Vented Storage Cabinet		
Install		
Material: Assembly		
SIZE	PART NO.	REV.
B	Vented Storage Cabinet 24-36 VSC_1395-1	#
SCALE:	WEIGHT: 427.52	SHEET 2 OF 5