

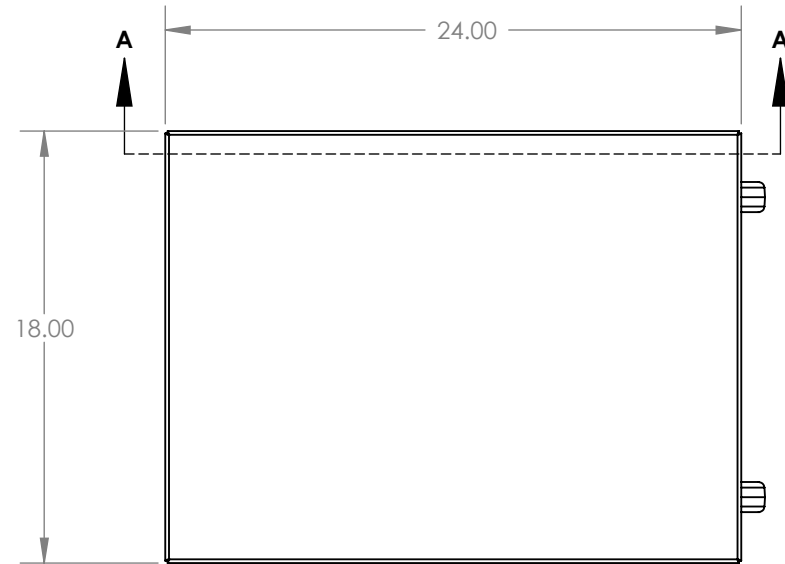
APPROVED

Print Name:

Date:

Signature:

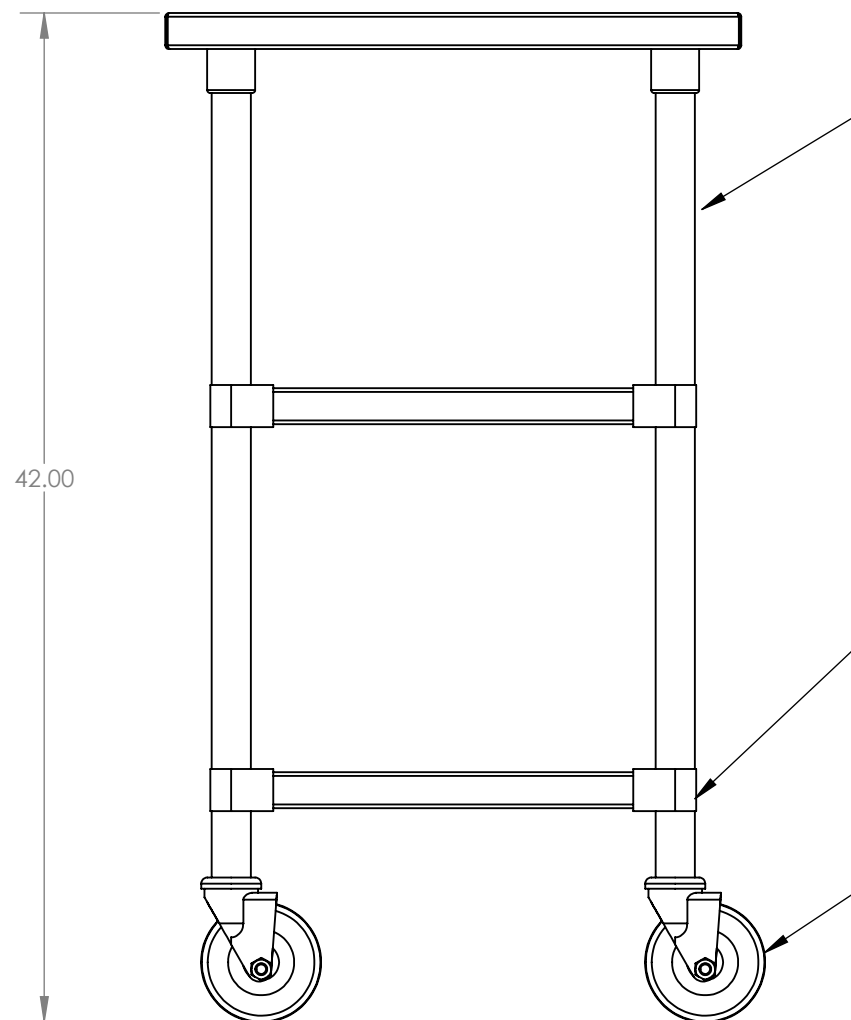
This print is the property of TBJ Incorporated. The information contained herein is confidential, it is not transferable. It is furnished with the clear understanding that it is not to be traced, reproduced or used in any process of manufacturing without written permission from the owner and is returnable upon request. Any infringement upon the patent rights shown herein, whether in whole or part, will be severely prosecuted.



SECTION A-A  
SCALE 1 : 8

NOTE: ALL WELDS / CORNERS GROUND SMOOTH & POLISHED

NOTE: 14 GA STAINLESS STEEL T316  
#4 FINISH MATL CONSTRUCTION

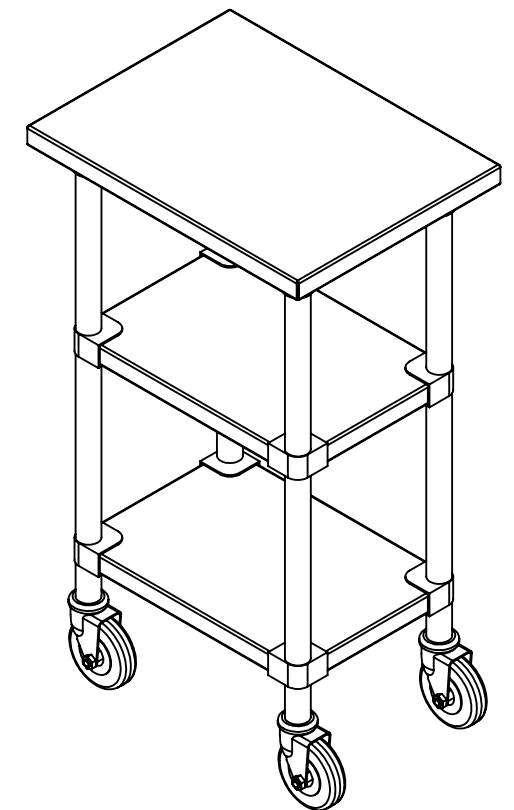
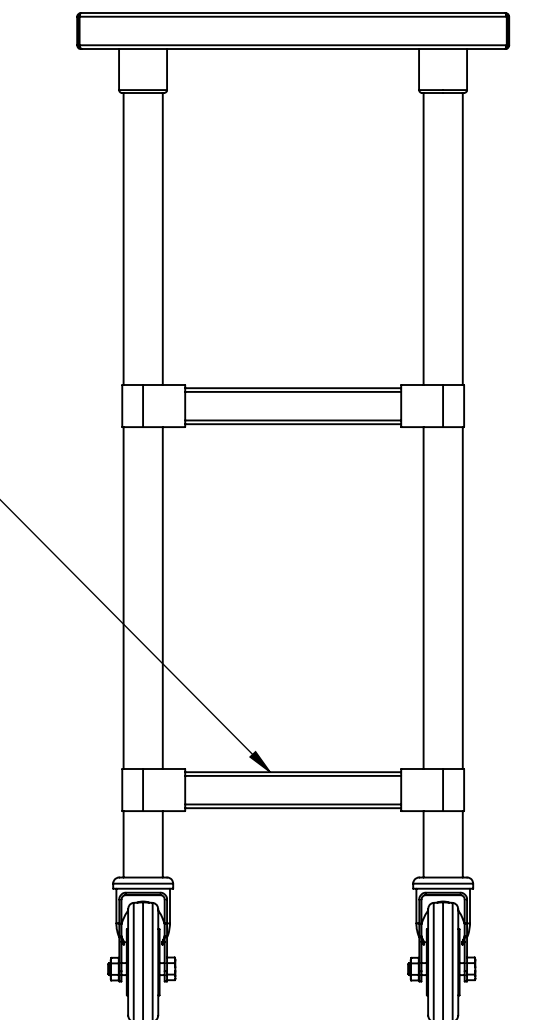


1-5/8" O.D. S/S TUBING

(2) S/S ADJUSTABLE HEIGHT SHELVES

NSF CERTIFIED DIECAST ALUMINUM  
CORNER BRACKETS

(4) 5" DIA MEDIUM  
DUTY CASTERS  
W/ LOCKING BRAKE



E-53

TBJ Inc.

1671 Orchard Drive, Chambersburg, PA 17201  
phone 717-261-9700 www.tbjinc.com

CONFIDENTIAL DOCUMENT

CART 24-18-42

REF DWG: R08177-2

Material: Assembly

LTR	DESCRIPTION	DATE	BY	SIZE	PART NO.	REV.
		4/6/09	NS	B	1434-2	#
SCALE:		WEIGHT: 84.87		SHEET 1 OF 1		