

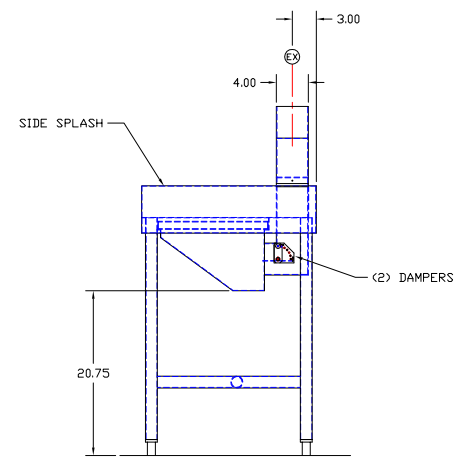
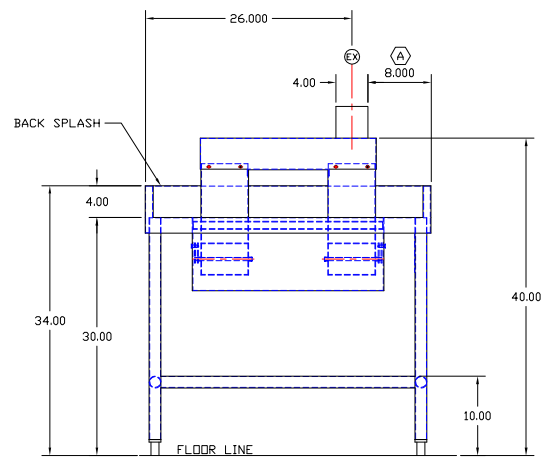
APPROVED

PRINT NAME:
DATE:
SIGNATURE:

UTILITY REQUIREMENTS

(EX) — EXHAUST — 4" OUTSIDE DIA., 200 CFM

NOTE:
MATL: 16 GA T304 #4 FINISH STAINLESS STEEL



This print is the property of TBJ Incorporated. The information contained herein is confidential, it is not transferable. It is furnished with the clear understanding that it is not to be traced, reproduced or used in any other process of manufacturing without written permission from the owner and is returnable upon request.

		TBJ INC		1671 ORCHARD DRIVE CHAMBERSBURG, PA 17201	
		SCALE 1-1/2"=1'-0"	DRAWN BY BSC		
		REF DWG - R08182	DATE 9-9-08		
A		MOVE EXHAUST PORT TO RIGHT SIDE OF TABLE	BSC	9-17-08	22-36 DD WORK STATION
LET	REVISION	BY	DATE	ROUGH-IN ASSEMBLY	R08183