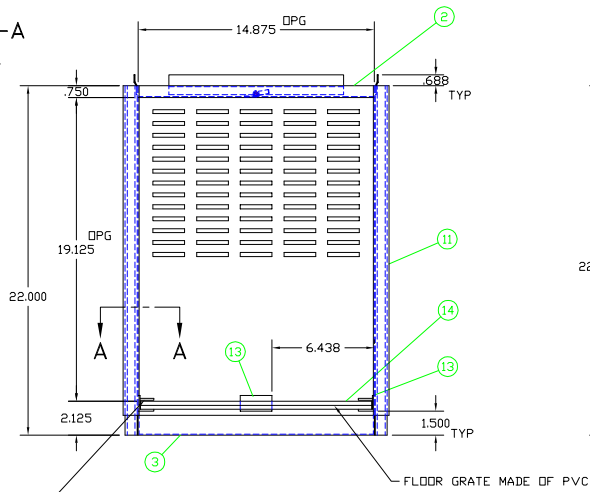
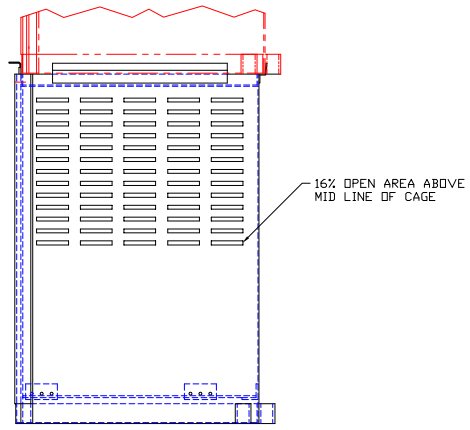


SECTION A-A  
SCALE: FULL

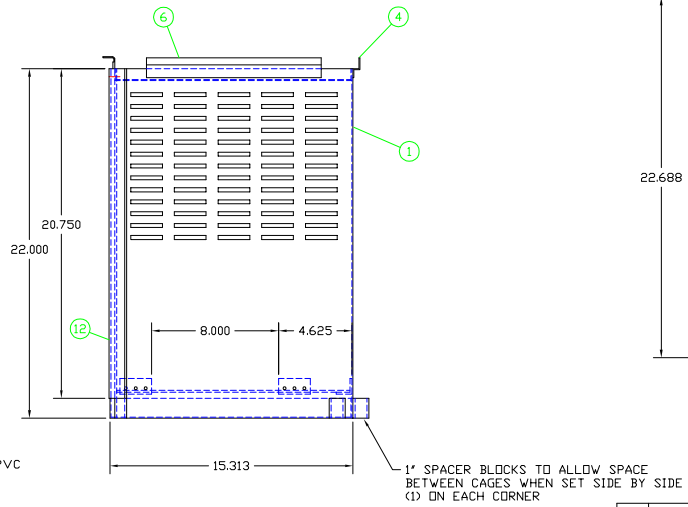


VIEW WITH DOOR REMOVED

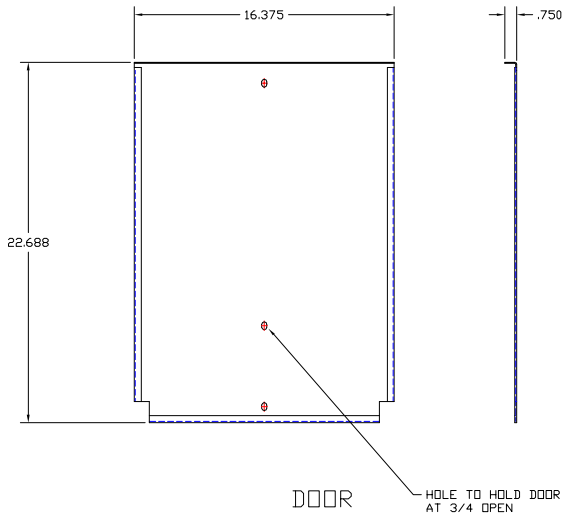
CLIPS TO ALLOW CAGE BOTTOM TO STAY IN PLACE IF CAGE TOPPLES.



STACKING CAGES



1" SPACER BLOCKS TO ALLOW SPACE BETWEEN CAGES WHEN SET SIDE BY SIDE (1) ON EACH CORNER



DOOR

HOLE TO HOLD DOOR AT 3/4 OPEN

ITEM	QTY	TOT	DESCRIPTION	DRAWING NO.
1	1		WRAPPER	D99158-1
2	1		TOP	" -2
3	1		BOTTOM	" -3
4	1		GUIDE	" -4
5	1		DOOR	" -5
6	2		GUIDE	" -6
7				
8	1		HANDLE	R99031-1
9	1		LOCKING PIN	" -2
10	1		HAIRPIN	" -3
11	2		.750 SQ ALUMINUM TUBING x 22.00 LG	" -4
12	2		1.00 x 1.00 x .125 ALUMINUM ANGLE x 20.75 LG	" -5
13	5		1.00 x 1.00 x .125 ALUMINUM ANGLE x 2.00 LG	" -6
14	1		PVC GRATING	C99112

				<b>TBJ</b> INCORPORATED 1671 ORCHARD DRIVE CHAMBERSBURG, PA 17201 Phone: (717) 261-9700 www.tbjinc.com	
				SCALE 3"=1'-0"	DRAWN BY CWF
				DATE 6-9-99	
TRANSFER CAGE					
LET	REVISION	BY	DATE	ROUGH-IN ASSEMBLY	R99031