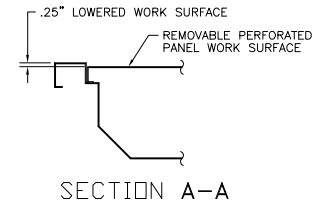
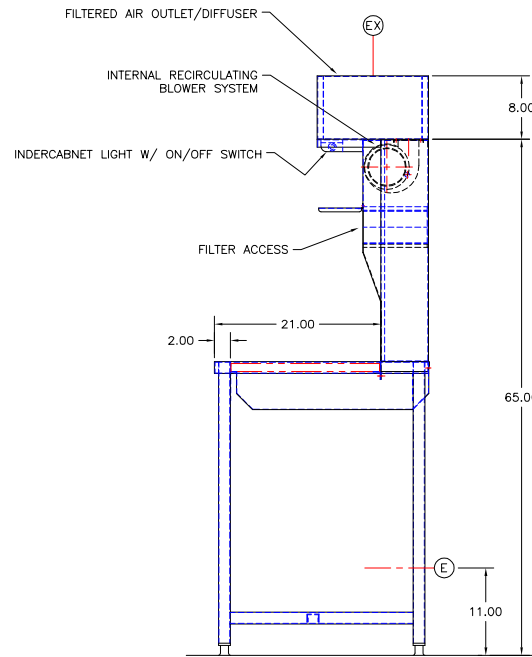
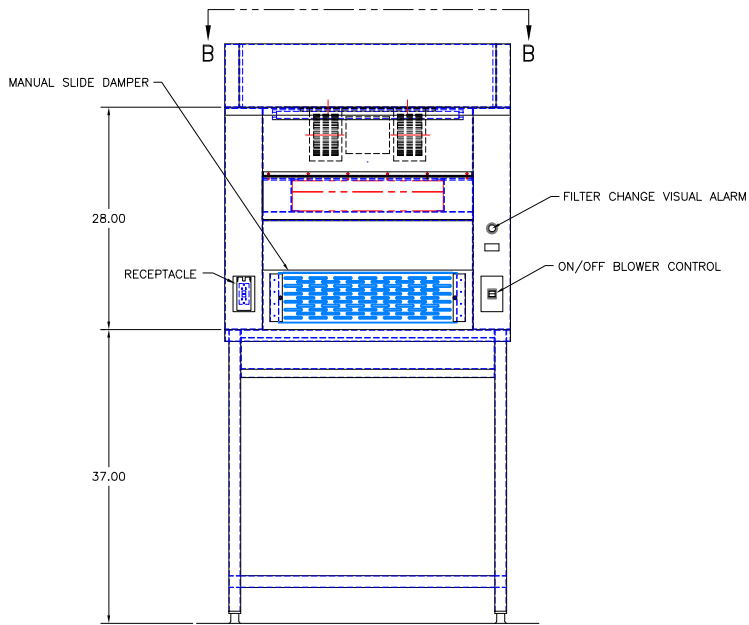
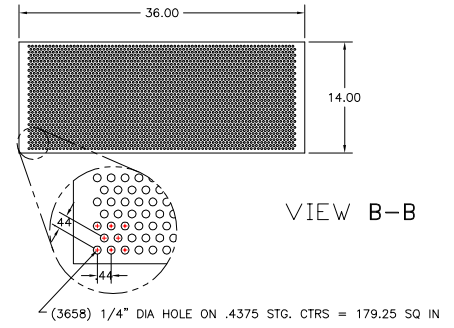
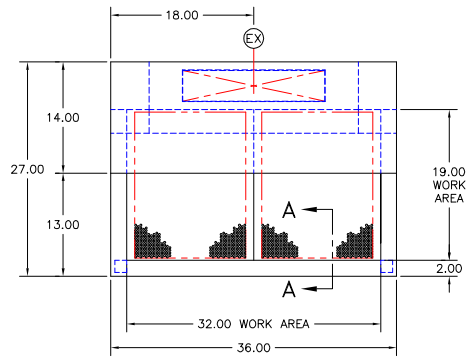


UTILITY REQUIREMENTS

ⓔ — ELECTRICAL — 115 V., 1 PH., 60 Hz., 20 AMP.

APPROVED

PRINT NAME:  
DATE:  
SIGNATURE:



This print is the property of TBJ Incorporated. The information contained herein is confidential, it is not transferable. It is furnished with the clear understanding that it is not to be traced, reproduced or used in any other process of manufacturing without written permission from the owner and is returnable upon request. Any infringement upon the patent rights shown herein, whether in whole or part, will be severely prosecuted.

C	REVISED	CWF	9-25-07
B	ADDED A DIFFUSER GRID TO EXHAUST OUTLET	ALE	9-19-07
A	ADDED NOTES & SECTION VIEW	ALE	9-18-07
LET	REVISION	BY	DATE
<b>TBJ INC</b>		1671 ORCHARD DRIVE CHAMBERSBURG, PA 17201	
SCALE 1-1/2"=1'-0"	DRAWN BY ALE		
REF DWG -	DATE 9-13-07		
27-36 BD/DD WORKSTATION			
ROUGH-IN ASSEMBLY		R07177	