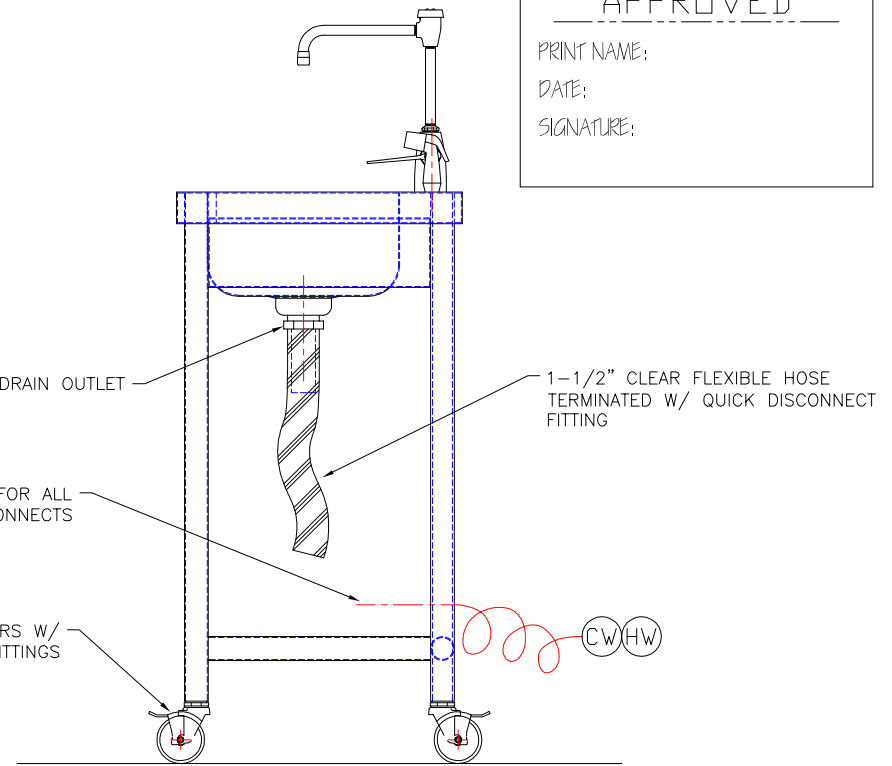
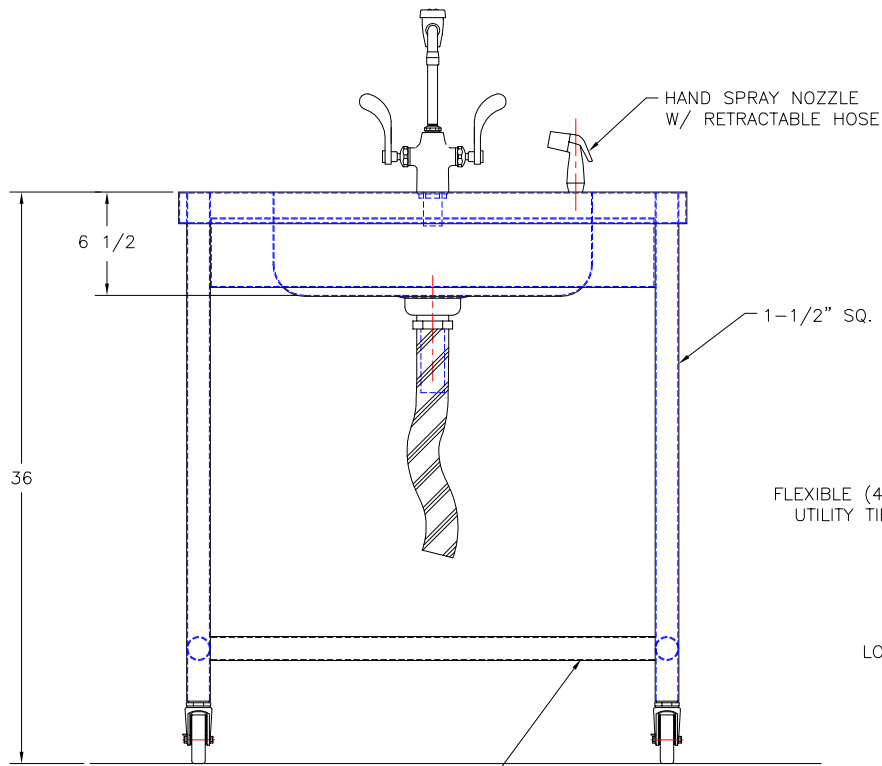


UTILITY REQUIREMENTS

- (CW) — COLD WATER — 3/4" GHT quick disconnect
- (HW) — HOT WATER — 3/4" GHT quick disconnect
- (D) — DRAIN — 1-1/2" O.D.



APPROVED

PRINT NAME: _____
 DATE: _____
 SIGNATURE: _____

1-1/2" DIA S/S TUBING

SCALE 3"=1'-0"		DRAWN BY ALE	
REF DWG -		DATE 5-24-05	
18-32 PORTABLE SINK			
LET	REVISION	BY	DATE
ROUGH-IN ASSEMBLY			R05075