

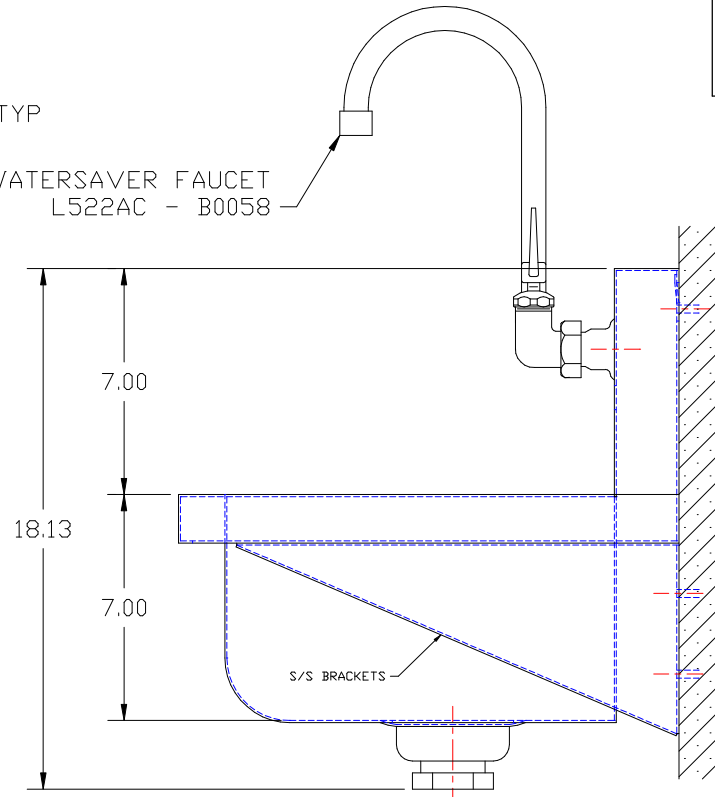
UTILITY REQUIREMENTS

- (CW) — COLD WATER - 3/4" I.P.S.
- (HW) — HOT WATER - 1/2" I.P.S.
- (D) — DRAIN - 1-1/2" I.P.S.

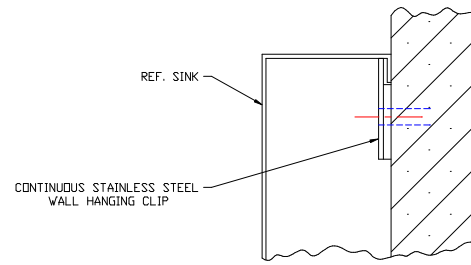
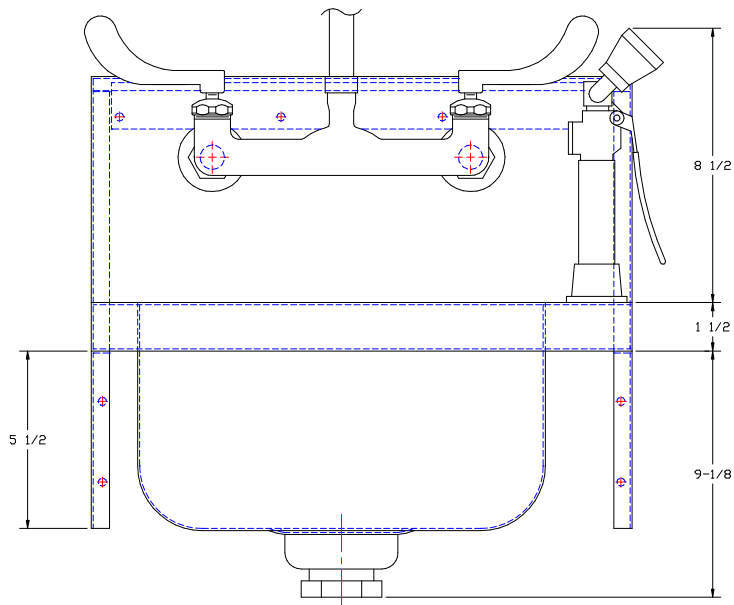
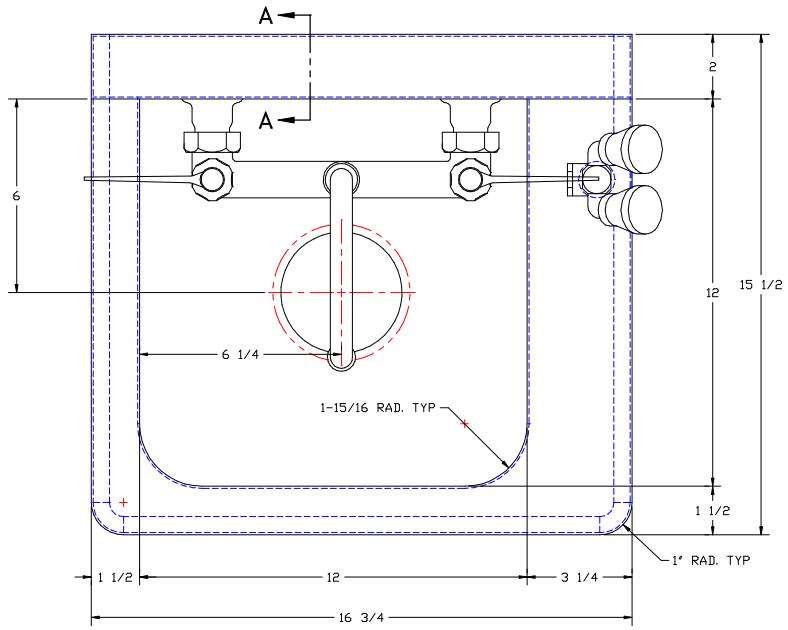
APPROVED

PRINT NAME: _____
 DATE: _____
 SIGNATURE: _____

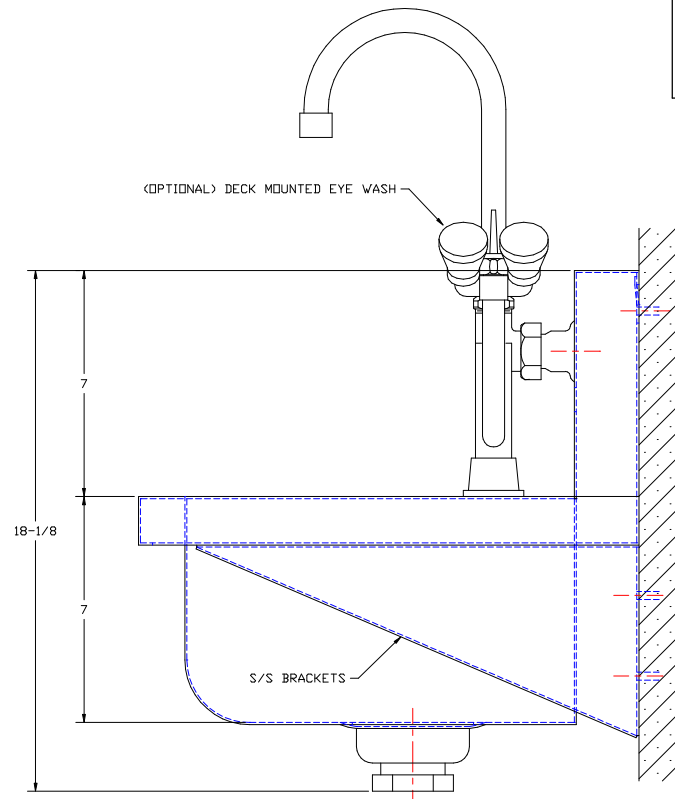
WATERSAVER FAUCET
 L522AC - B0058



LET	REVISION	BY	DATE
TBJ INC			
1671 ORCHARD DRIVE CHAMBERSBURG, PA 17201			
SCALE	NTS	DRAWN BY	JEG
REF DWG	R97086	DATE	9-16-05
HAND SINK ASSEMBLY			
ROUGH-IN ASSEMBLY			R05180



SECTION A-A



UTILITY REQUIREMENTS

- ⊙ CW — COLD WATER - 1/2" I.P.S.
- ⊙ HW — HOT WATER - 1/2" I.P.S.
- ⊙ D — DRAIN - 2" I.P.S.

APPROVED

PRINT NAME:
DATE:
SIGNATURE:

A	ADDED WRIST BLADE HANDLES	ALE	3-11-98
LET	REVISION	BY	DATE
TBJ INC		1671 ORCHARD DRIVE CHAMBERSBURG, PA 17201	
SCALE	NTS	DRAWN BY	ALE
		DATE	10-14-97
HAND SINK ASSEMBLY			
ROUGH-IN ASSEMBLY			R97086