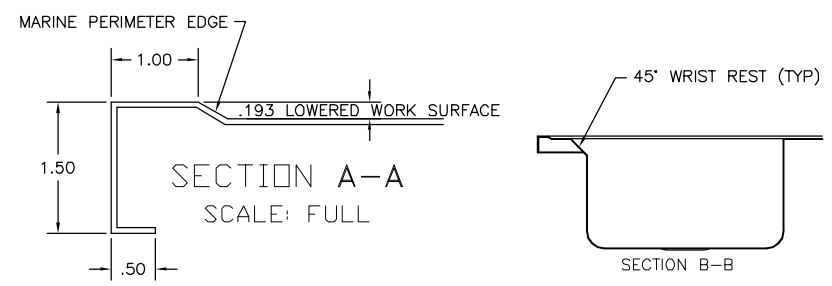


UTILITY REQUIREMENTS

- Ⓢ — COLD WATER — (1) @ 1/2" NPT (FLEX LINE BY OTHERS)
- Ⓢ — HOT WATER — (1) @ 1/2" NPT (FLEX LINE BY OTHERS)
- Ⓢ — DRAIN — (3) @ 1-1/2" NPT (FLEX LINE BY OTHERS)
- Ⓢ — ELECTRICAL — 115 V., 1 PH., 60 Hz., 15 AMP



**FOR APPROVAL ONLY**

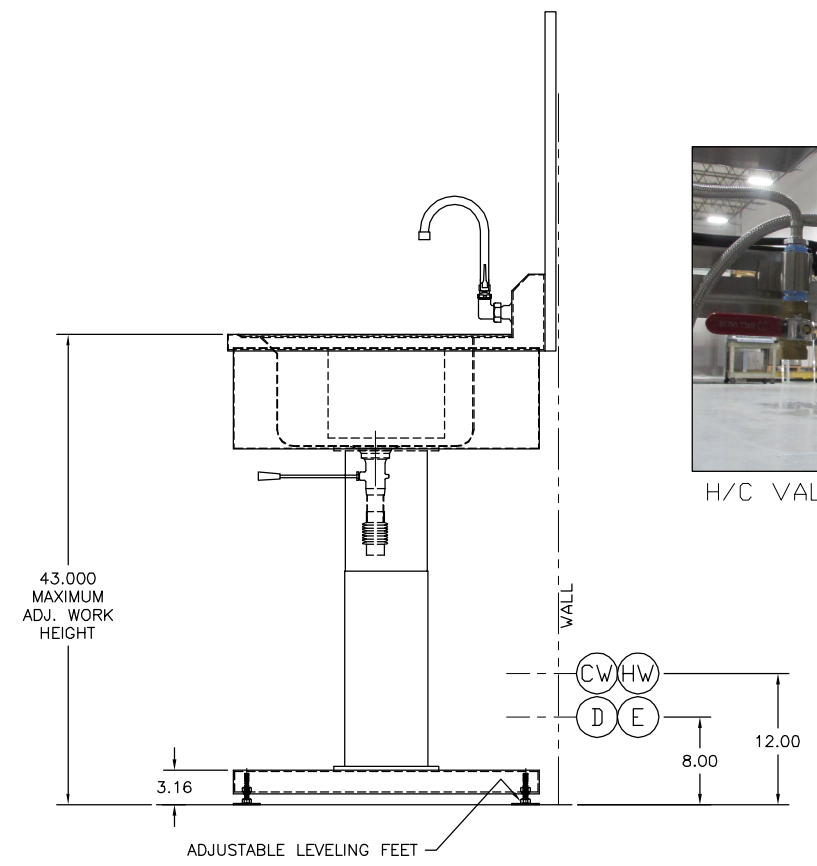
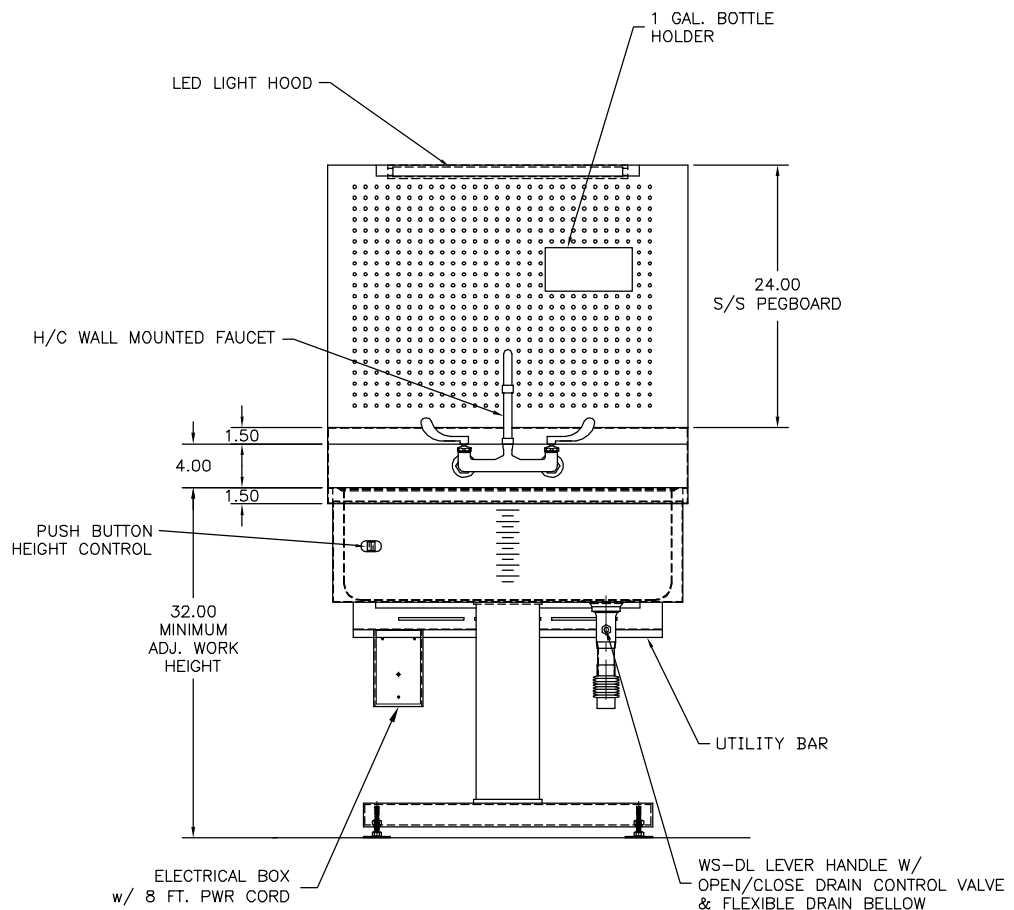
ONE (1) SET OF APPROVAL PRINTS  
MUST BE SIGNED AND RETURNED TO  
TBJ INC. BEFORE EQUIPMENT  
CAN BE RELEASED FOR PRODUCTION

APPROVED AS DRAWN  
FOR FABRICATION

NOT APPROVED - REVISE &  
RESUBMIT FOR FINAL APPROVAL

SIGNED \_\_\_\_\_

DATE \_\_\_\_\_



NOTE:  
- INCLUDES (1) PORTABLE COUNTDOWN TIMER, & (1) INTEGRATED  
DUPLEX GFCI OUTLET (NOT SHOWN)

NOTES: 1. MAX. OVERALL DIMENSIONS MUST BE CONSIDERED FOR BUILDING ENTRY.  
2. T304 #4 S/S CONSTRUCTION; ALL WELDS GROUND AND POLISHED

UNLESS OTHERWISE SPECIFIED		-	-	-	-
TOLERANCES IN INCHES: FRACTIONAL ± 1/32 ANGULAR ± 0°25' ONE DECIMAL ± 0.063 TWO DECIMAL ± 0.031 THREE DECIMAL ± 0.015		LET	REVISION	BY	DATE
				1671 ORCHARD DRIVE CHAMBERSBURG, PA 17201 Phone: (717) 261-9700 www.tbjinc.com	
		SCALE 1-1/2"=1'-0"		DRAWN BY SMH	
		REF DWG - R20241		DATE 3-30-21	
PRDD. RELEASE	NAME	DATE	30-34-1B CWS-AH - WORK SINK		
APPR. RELEASE	-	-	ROUGH-IN ASSEMBLY		
REVIEWED BY	-	-	R21079		
ENG APPR.	-	-			