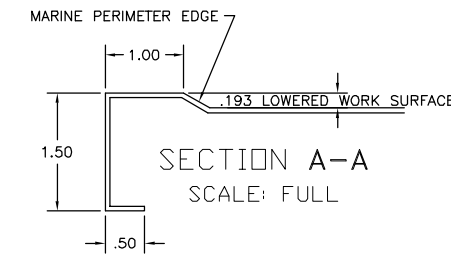
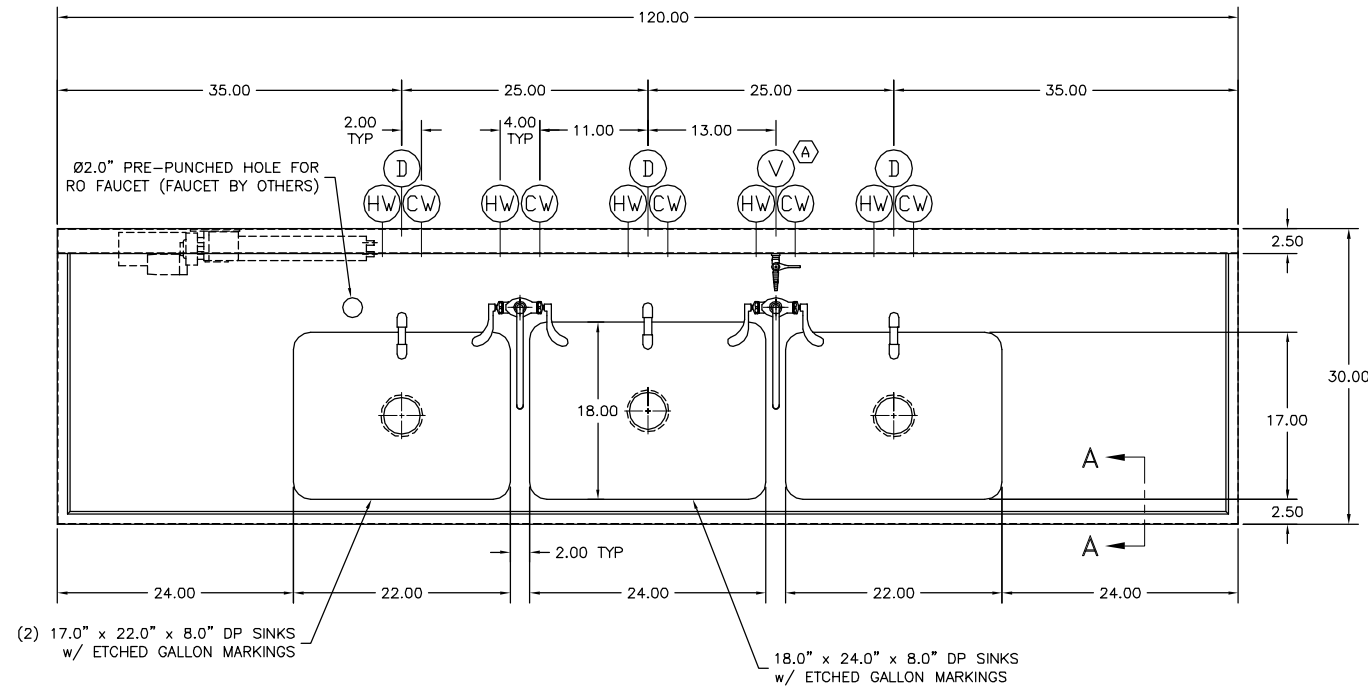


UTILITY REQUIREMENTS

- ⊙ CW — COLD WATER — (5) @ 1/2" NPT
- ⊙ HW — HOT WATER — (5) @ 1/2" NPT
- ⊙ V — LAB VACUUM — (1) @ 3/8" NPT
- ⊙ D — DRAIN — (3) @ 1-1/2" NPT
- ⊙ E — ELECTRICAL — (4) @ 115 V., 1 PH., 60 Hz., 15 AMP (3-PRONG PLUG)



FOR APPROVAL ONLY

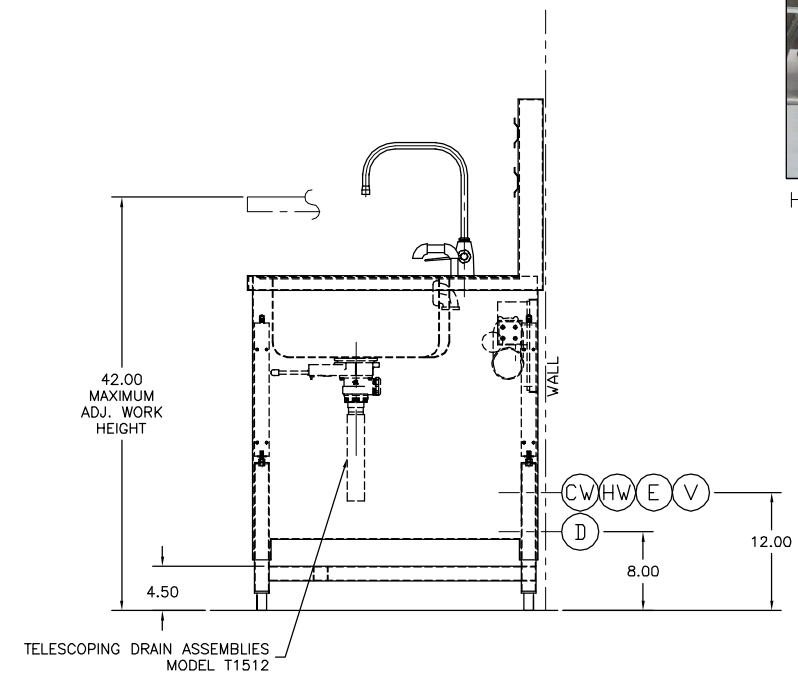
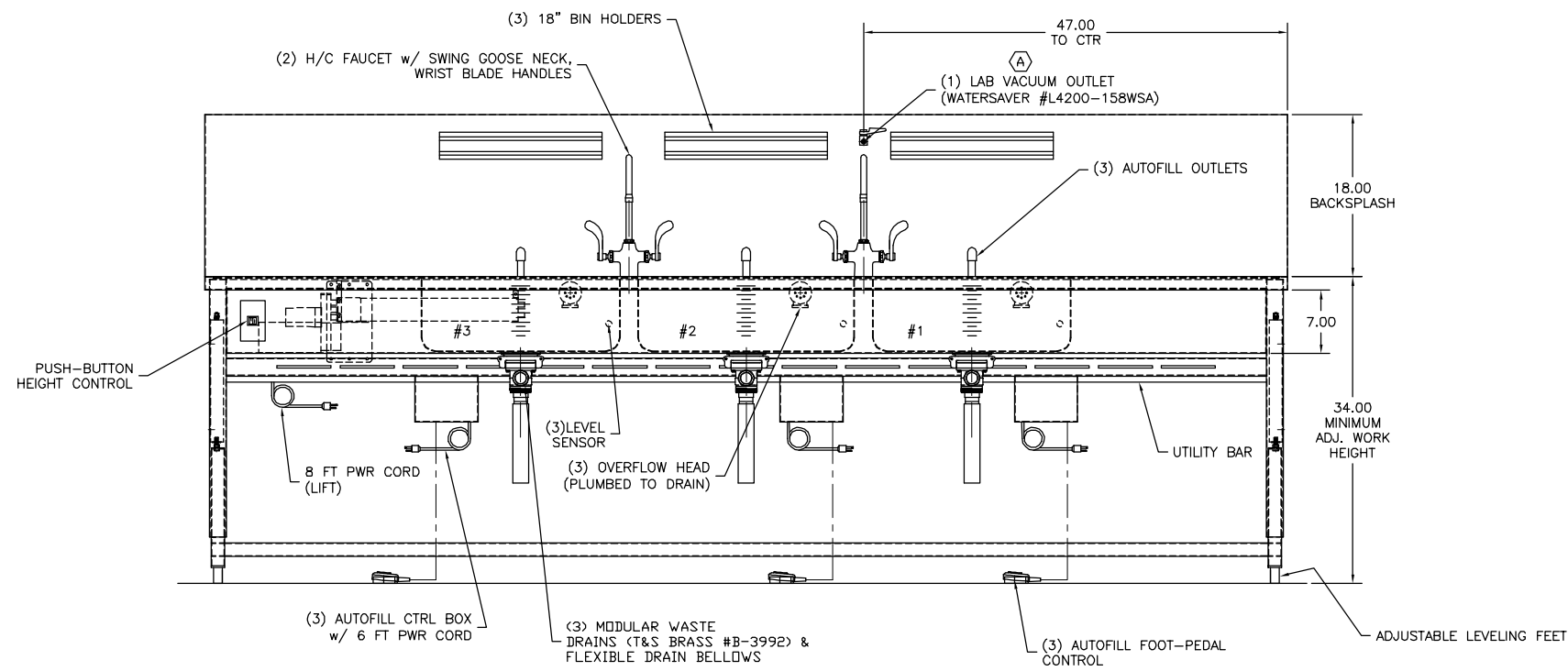
ONE (1) SET OF APPROVAL PRINTS MUST BE SIGNED AND RETURNED TO TBJ INC. BEFORE EQUIPMENT CAN BE RELEASED FOR PRODUCTION

APPROVED AS DRAWN FOR FABRICATION

NOT APPROVED — REVISE & RESUBMIT FOR FINAL APPROVAL

SIGNED _____

DATE _____



H/C VALVE DETAIL

NOTES: 1) MAX. OVERALL DIMENSIONS MUST BE CONSIDERED FOR BUILDING ENTRY.

NOTE:
— UNIT INCLUDES (6) MESH BASKETS (NOT SHOWN)

SCOPE PROCESSING SINK
QTY (2)
RIGHT TO LEFT

UNLESS OTHERWISE SPECIFIED		A	UPDATED VACUUM OUTLET	SMH	3/22/21
TOLERANCES IN INCHES: FRACTIONAL ± 1/32 ANGULAR ± 0°25' ONE DECIMAL ± 0.063 TWO DECIMAL ± 0.031 THREE DECIMAL ± 0.015		LET	REVISION	BY	DATE
				1671 ORCHARD DRIVE CHAMBERSBURG, PA 17201 Phone: (717) 261-9700 www.tbjinc.com	
		SCALE 1-1/2"=1'-0"	3544-1A	DRAWN BY SMH	
		REF DWG - R20251		DATE 3-4-21	
PRDD. RELEASE	-	-	30-120-3B WS-AH WORK SINK		
APPR. RELEASE	-	-	ROUGH-IN ASSEMBLY R21062		
REVIEWED BY	-	-			
ENG APPR.	-	-			