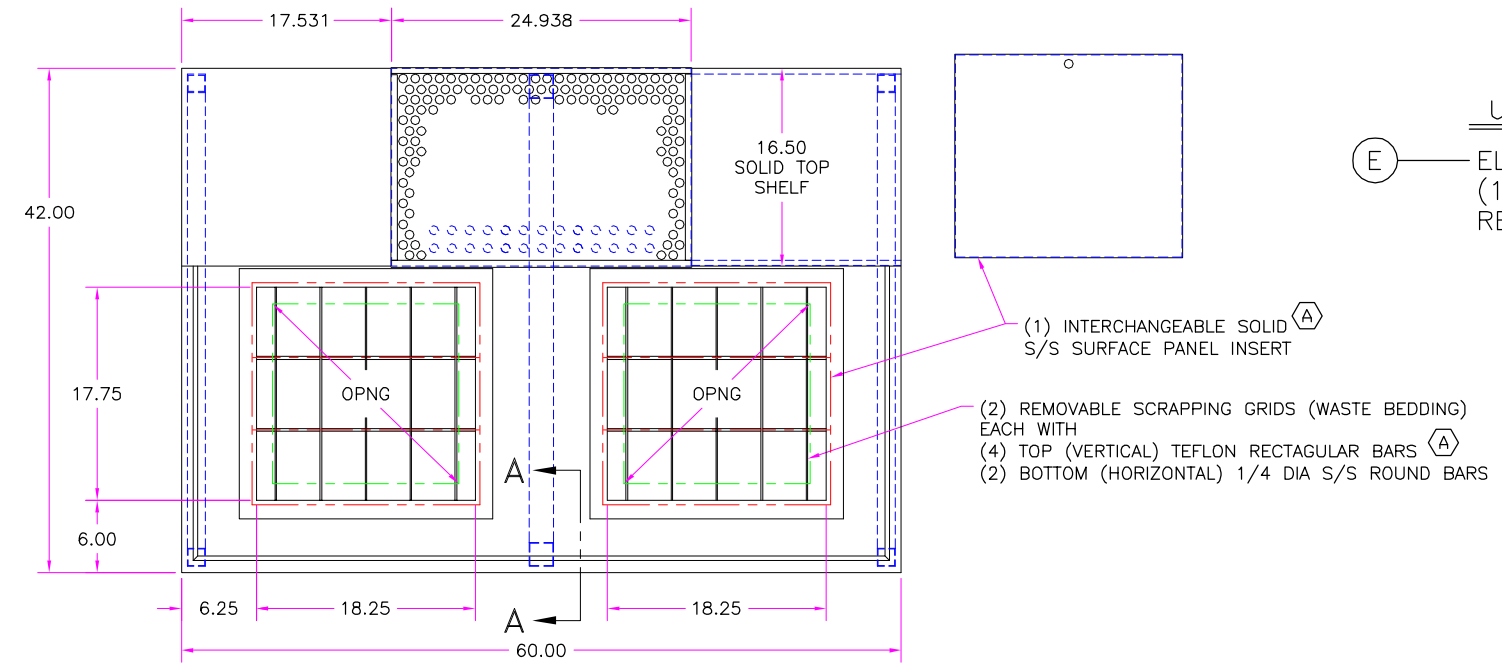


FOR APPROVAL ONLY

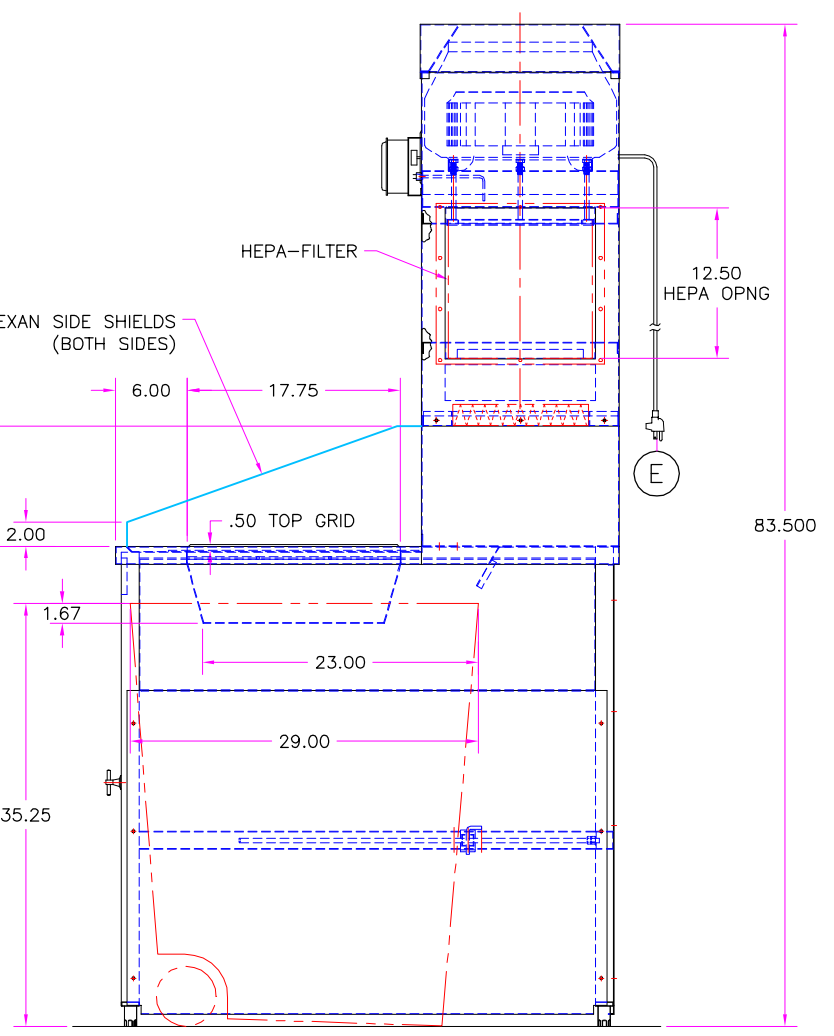
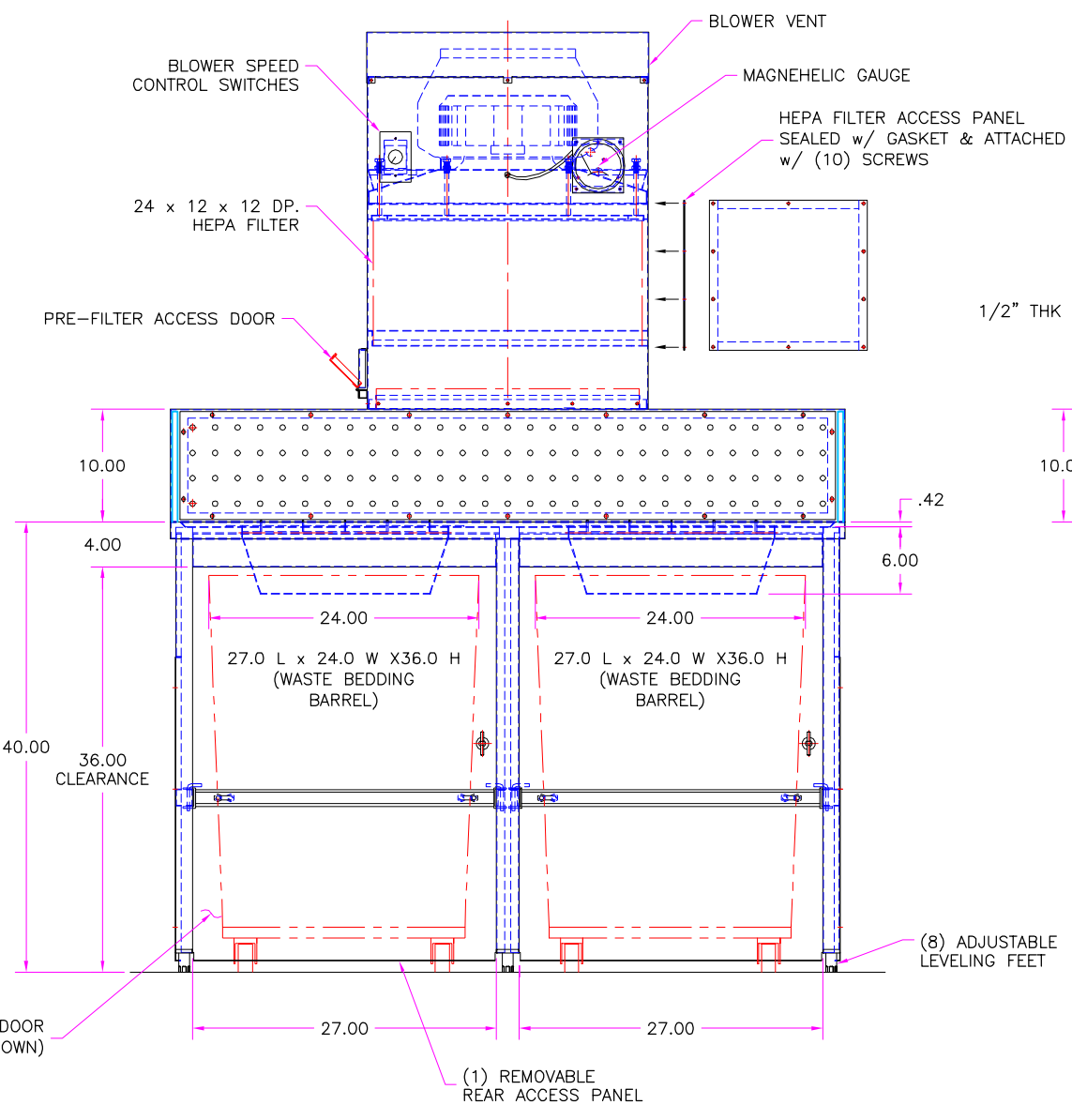
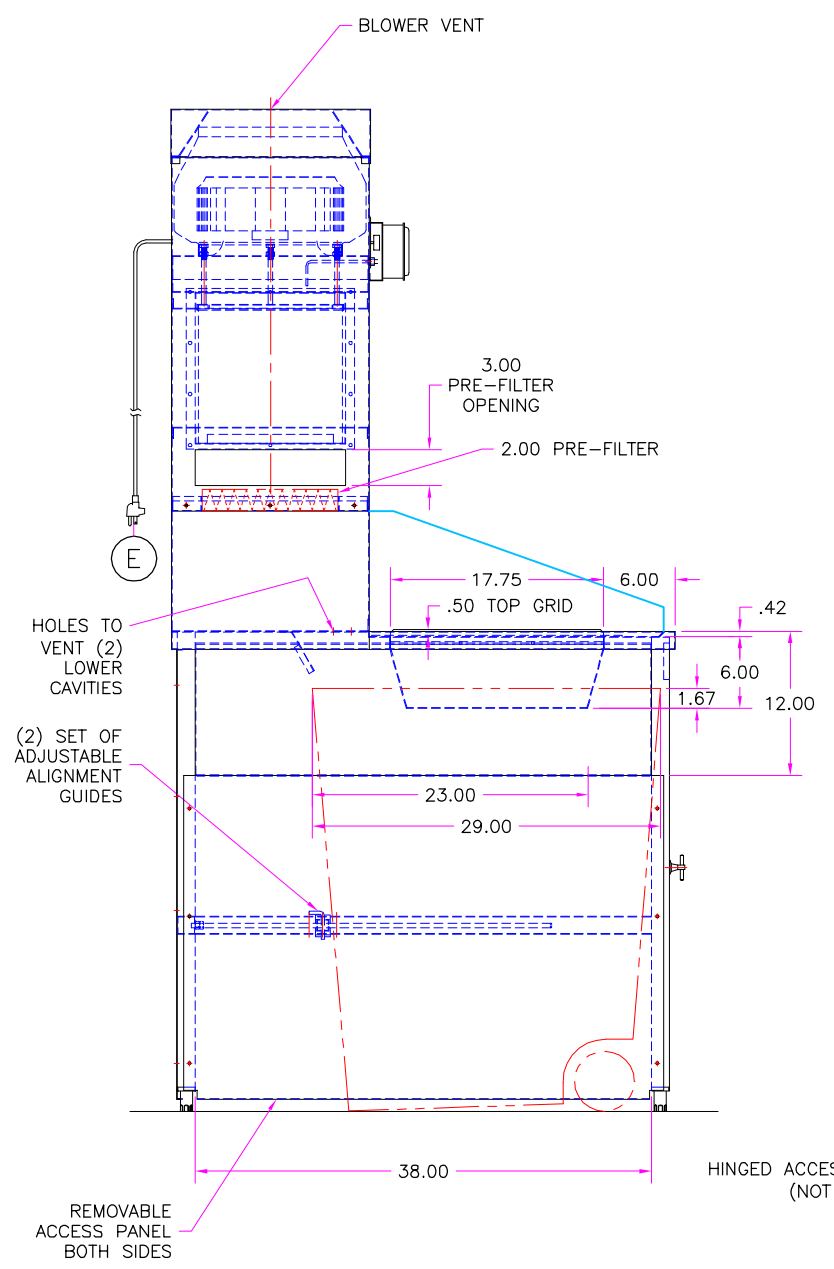
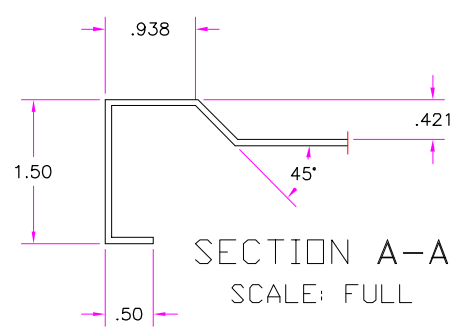
ONE (1) SET OF APPROVAL PRINTS MUST BE SIGNED AND RETURNED TO TBJ INC. BEFORE EQUIPMENT CAN BE RELEASED FOR PRODUCTION

- APPROVED AS DRAWN FOR FABRICATION
- NOT APPROVED - REVISE & RESUBMIT FOR FINAL APPROVAL

SIGNED _____
DATE _____



UTILITY REQUIREMENTS
 (E) ELECTRICAL - 115 V., 1 PH., 60 Hz., 15 AMP
 (1) GFCI PROTECTED RECEPTACLE
 REQUIRED FOR (1) POWER CORDS



UNLESS OTHERWISE SPECIFIED		A		ADDED COVER INSERT TO REPLACE GRID FOR WORK SURFACE AREA & ADDED TELFON CROSS BARS TO GRID	ALE	2-11-20
TOLERANCES IN INCHES: FRACTIONAL ± 1/32 ANGULAR ± 0°25' ONE DECIMAL ± 0.063 TWO DECIMAL ± 0.031 THREE DECIMAL ± 0.015		LET		REVISION	BY	DATE
		TBJ INCORPORATED		1671 ORCHARD DRIVE CHAMBERSBURG, PA 17201 Phone: (717) 261-9700 www.tbjinc.com		
		SCALE 1-1/2"=1'-0"		1187-1	DRAWN BY ALE	
		REF DWG - R07162			DATE 2-6-20	
PRODD. RELEASE		42-60 BD-SC BACKDRAFT TABLE				
APPR. RELEASE		ROUGH-IN ASSEMBLY				R20038
REVIEWED BY						
ENG APPR.						