

FOR APPROVAL ONLY

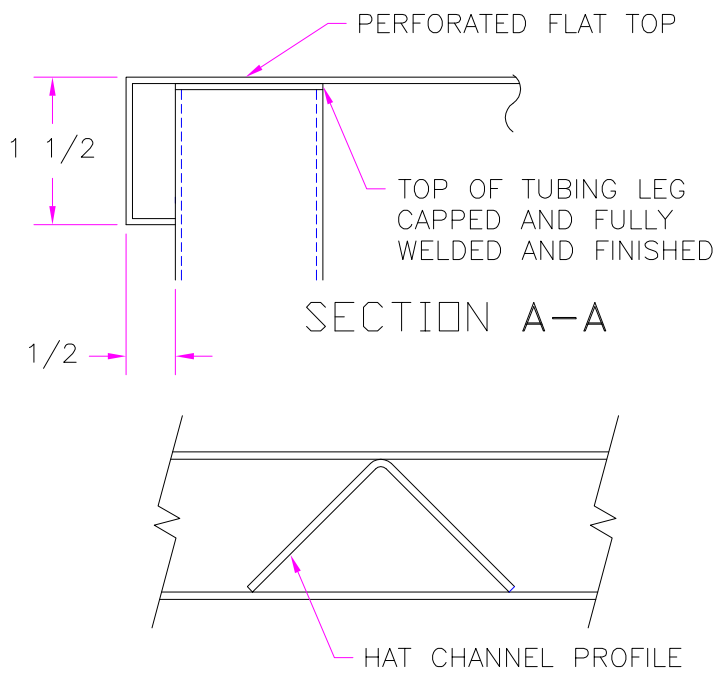
ONE (1) SET OF APPROVAL PRINTS MUST BE SIGNED AND RETURNED TO TBJ INC. BEFORE EQUIPMENT CAN BE RELEASED FOR PRODUCTION

APPROVED AS DRAWN FOR FABRICATION

NOT APPROVED - REVISE & RESUBMIT FOR FINAL APPROVAL

SIGNED _____

DATE _____

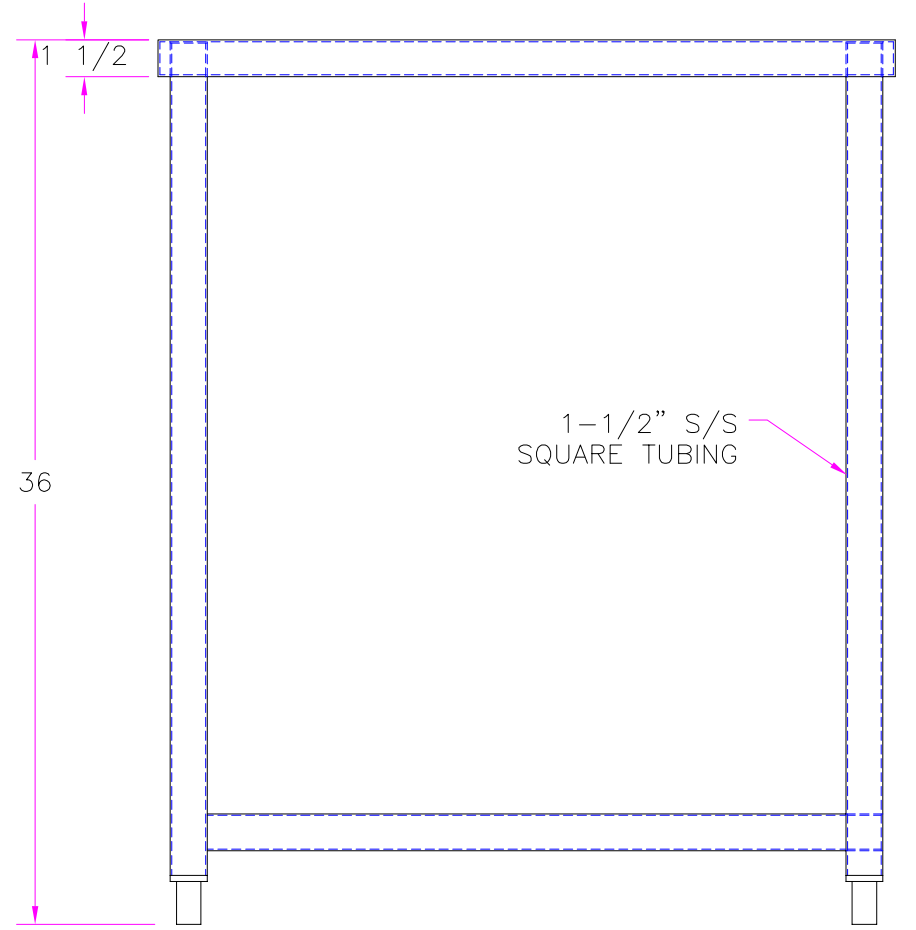


A ←

A ←

PORFORATED WITH 1/4" HOLES ON 1/2" STAGGERED CENTERS

NOTE: ALL MATERIAL FINISHED WITH MAXIMUM RA OF 25



UNLESS OTHERWISE SPECIFIED		-	-	-	-
TOLERANCES IN INCHES: FRACTIONAL ± 1/32 ANGULAR ± 0°25' ONE DECIMAL ± 0.063 TWO DECIMAL ± 0.031 THREE DECIMAL ± 0.015		LET	REVISION	BY	DATE
				1671 ORCHARD DRIVE CHAMBERSBURG, PA 17201 Phone: (717) 261-9700 www.tbjinc.com	
		SCALE 3' = 1'-0"	-	DRAWN BY	BSC
		REF DWG - R18176	-	DATE	7-19-18
PROD. RELEASE	-	-	MODEL 30-72 WORK TABLE (8) UNITS		
APPR. RELEASE	-	-	ROUGH-IN ASSEMBLY		
REVIEWED BY	-	-	R18213		
ENG APPR.					