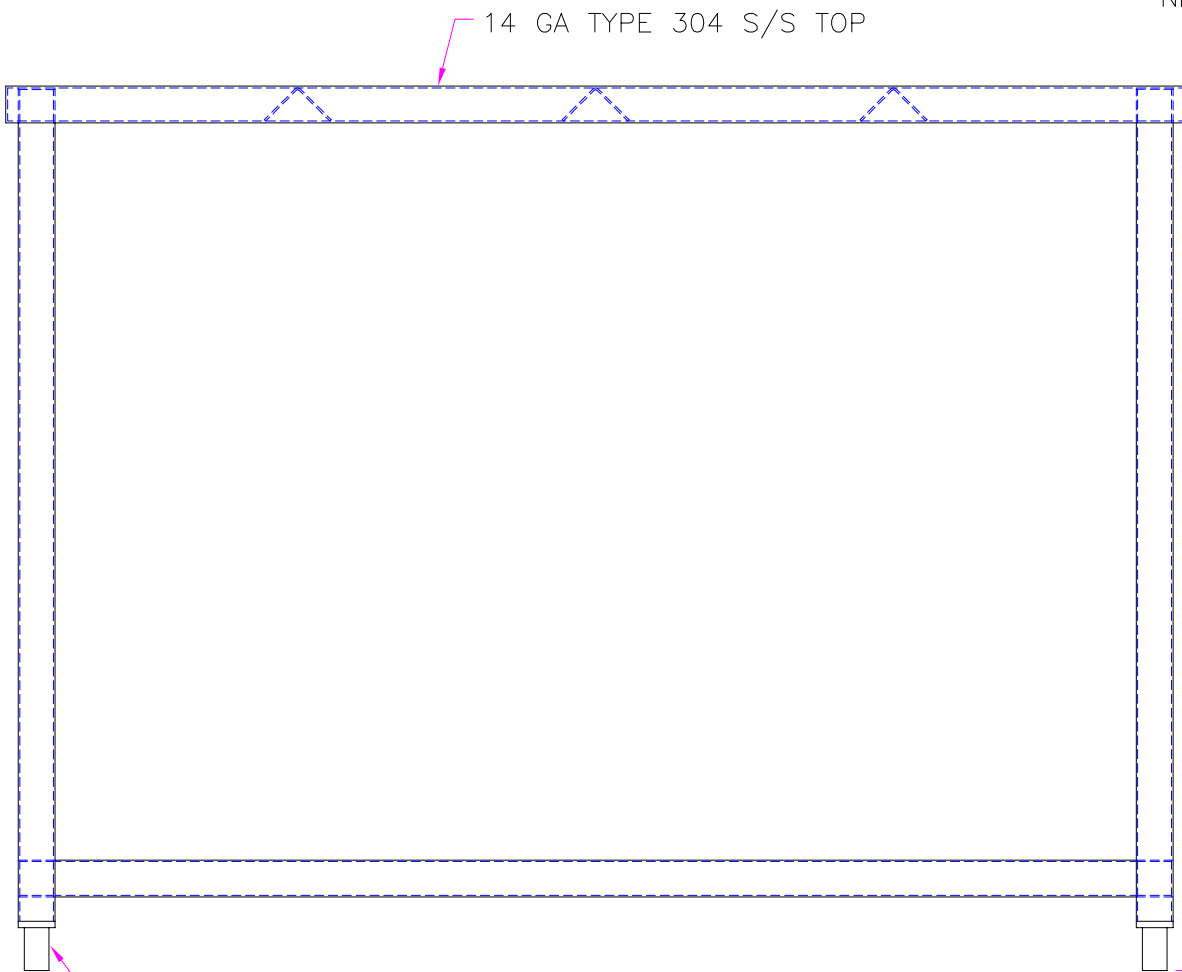


PORFORATED WITH 1/4" HOLES ON 1/2" STAGGERED CENTERS



14 GA TYPE 304 S/S TOP

ADJUSTABLE LEVELING FEET (CUSTOMER TO SELECT DESIGN TYPE)

NOTE: ALL MATERIAL FINISHED WITH MAXIMUM RA OF 25

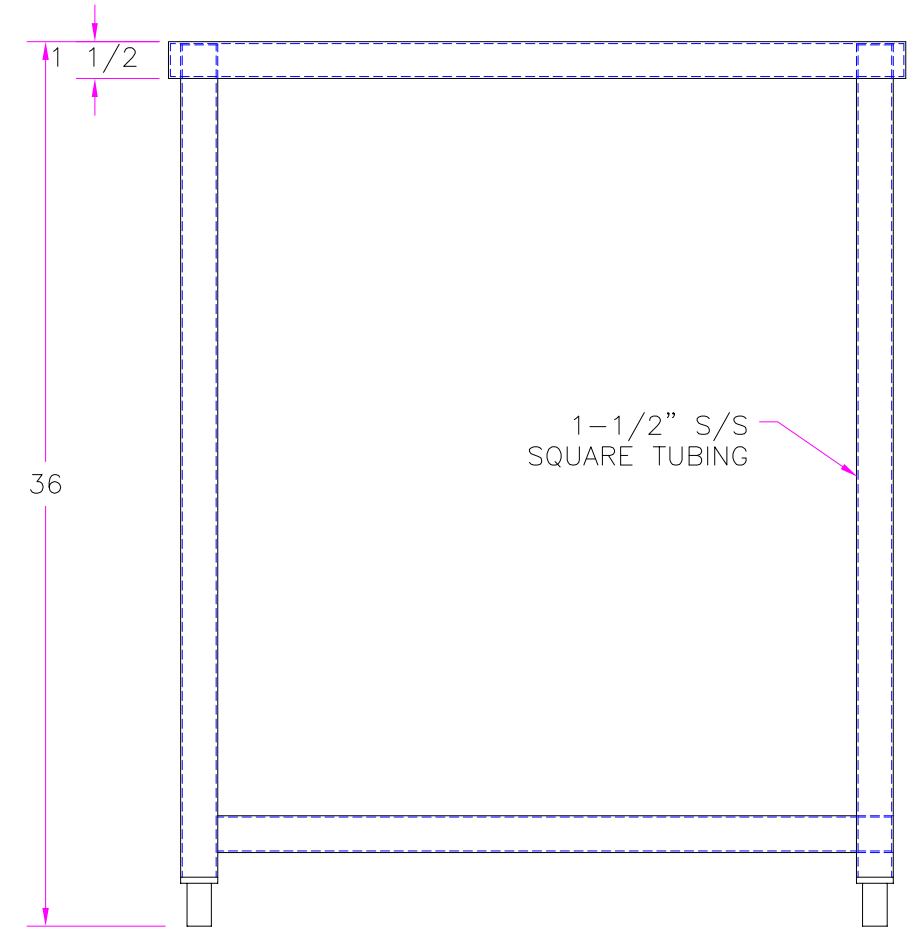
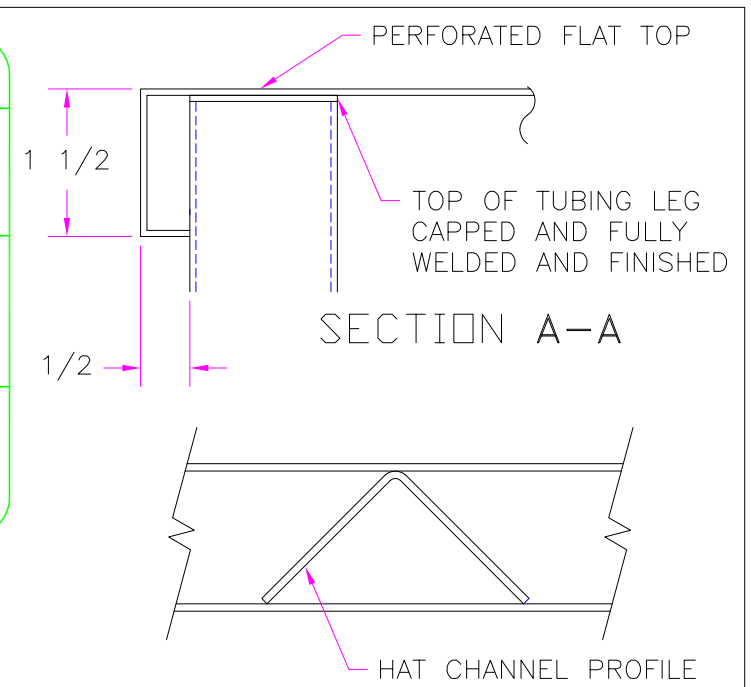
FOR APPROVAL ONLY

ONE (1) SET OF APPROVAL PRINTS MUST BE SIGNED AND RETURNED TO TBJ INC. BEFORE EQUIPMENT CAN BE RELEASED FOR PRODUCTION

- APPROVED AS DRAWN FOR FABRICATION
- NOT APPROVED - REVISE & RESUBMIT FOR FINAL APPROVAL

SIGNED _____

DATE _____



1-1/2" S/S SQUARE TUBING

UNLESS OTHERWISE SPECIFIED TOLERANCES IN INCHES: FRACTIONAL ± 1/32 ANGULAR ± 0°25' ONE DECIMAL ± 0.063 TWO DECIMAL ± 0.031 THREE DECIMAL ± 0.015	-	-	-	-
	LET	REVISION		BY DATE
	TBJ INCORPORATED	1671 ORCHARD DRIVE CHAMBERSBURG, PA 17201 Phone: (717) 261-9700 www.tbjinc.com		DRAWN BY BSC
	SCALE 3'-1'-0"	-	DATE 7-19-18	
	NAME	DATE	REF DWG - R15177	
PROD. RELEASE	-	-	MODEL 30-48 WORK TABLE (15) UNITS	
APPR. RELEASE	-	-	ROUGH-IN ASSEMBLY	
REVIEWED BY	-	-	R18174	
ENG APPR.				