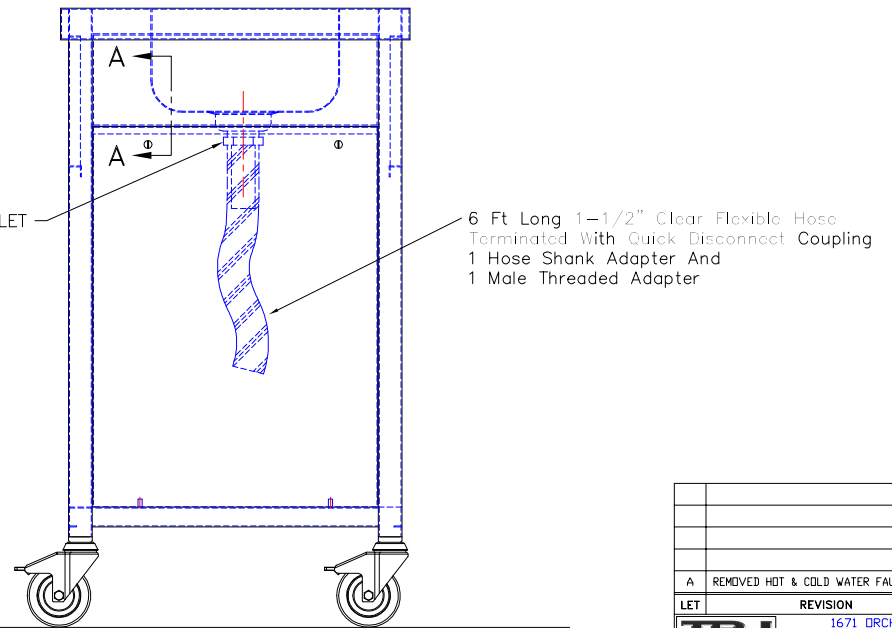
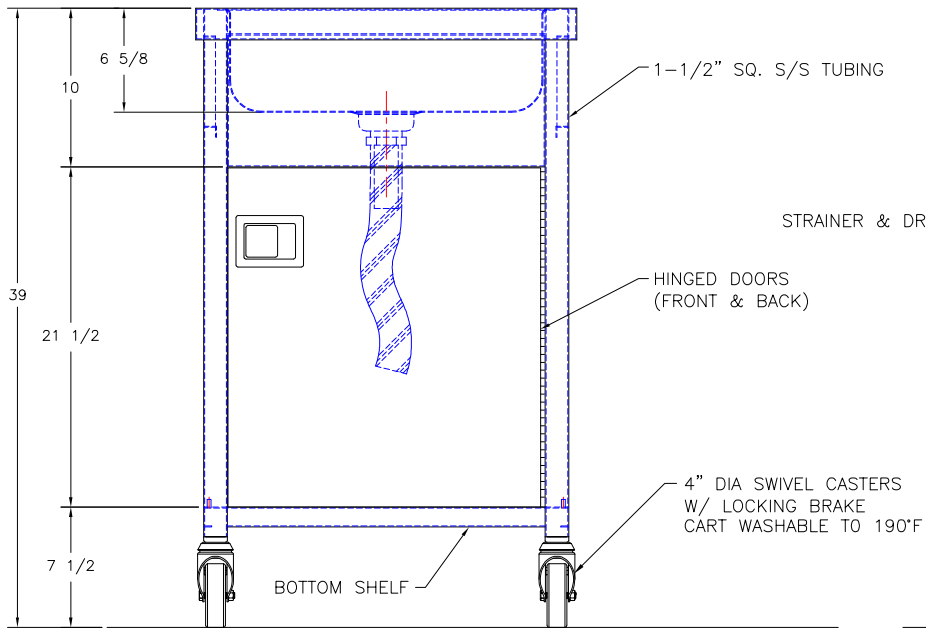


UTILITY REQUIREMENTS

ⓓ — DRAIN — 1-1/2" O.D.

APPROVED

PRINT NAME:
DATE:
SIGNATURE:



LET	REVISION	BY	DATE
A	REMOVED HOT & COLD WATER FAUCET	ALE	3-24-11
1671 ORCHARD DRIVE CHAMBERSBURG, PA 17201 Phone: (717) 261-9700 www.tbjinc.com			
SCALE 3"=1'-0"	DRAWN BY BSC	DATE 10-21-10	
REF DWG - R10075			
22-24-BC-MS			
ROUGH-IN ASSEMBLY			R10185