

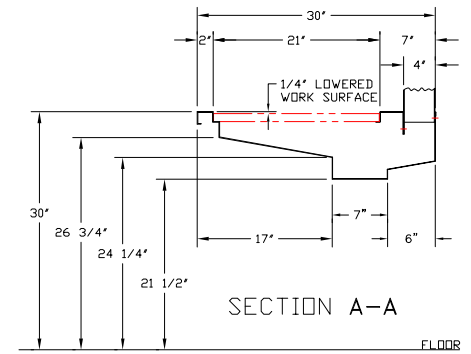
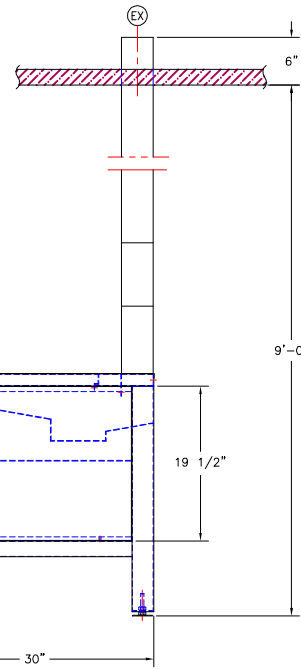
UTILITY REQUIREMENTS

(EX)-----EXHAUST - 4" x 18" OUTSIDE DIMS. - 776 CFM

NOTE:  
ALL S/S TYPE 304 #4 SATIN FINISH

APPROVED

PRINT NAME:  
DATE:  
SIGNATURE:



				<b>TBJ INC</b>		1671 ORCHARD DRIVE CHAMBERSBURG, PA 17201	
				SCALE 1-1/2"=1'-0"		DRAWN BY ALE	
				REF DWG - R01151		DATE 6-12-02	
B	REVISED SECTION A-A	JEG	5-29-03	30-60 DD Downdraft Work Bench			
A	REVISED	CWF	12-12-02				
LET	REVISION	BY	DATE	ROUGH-IN ASSY		R02104	