

# TBJ Model 30-72-WS PPT Instrument Prep & Pack Workstation

## Product Specification

### Product Description

The TBJ Model 30-72-WS PPT Instrument Prep and Pack Workstation is designed for use in sterile processing departments for assembling instrument sets while also providing an organized work area. The workstation can be designed with a fixed height or ergonomic manual or electric push-button height adjustment. The table includes (3) wire shelves for easy access to stored supplies. The table as constructed here includes our optional ergonomic "cut out" in the center of the table for increased ease in reaching stored items on the shelves and our 6.0 fluorescent magnifier. All prep and pack stations are constructed of type 304 stainless steel.

### Dimensions

The 30-72-WS PPT is 30 Wide x 72" Long with a 36" high work surface. An optional height adjustment feature allows the work top to be adjustable between 34" and 40" High (other travel ranges are available).

### Construction/Design

- Heavy duty stainless steel construction.
- Type 304 stainless steel counter top, 16 gauge, #4 finish.
- Counter top reinforced underneath for added strength
- Type 304 stainless steel tubular legs, 1 ½" square x 16 gauge wall.
- Seamless heliarc welded construction
- All exposed welds ground and polished.
- Adjustable leveling feet or OPTIONAL swivel casters.
- Fixed height at 36" or OPTIONAL height adjustment system.
- A wide variety of optional features are available to add to the base unit. See optional features listed below.

### Installation and Assembly

TBJ workstations are shipped partially or fully assembled depending upon the configuration ordered. Some optional accessories disassembled for reassembly on site.



**MODEL 30-72-WS PPT WITH (3) WIRE  
SHELVES, ERGONOMIC CENTER "CUT OUT"  
AND 6.0 DIOPTR FLUORESCENT MAGNIFIER**

## OPTIONAL FEATURES



Integral Storage  
Drawers



Overhead Light  
Assembly



3.5 Diopter  
Magnifier Light



15 Amp Plug Strip



Hook Rail Attachment



Ergonomic Access  
"cut-out"



Surface Mounted  
Flat Screen Arm



Surface Mounted Flat Screen  
Arm with Keyboard Arm



Full Width Shelving



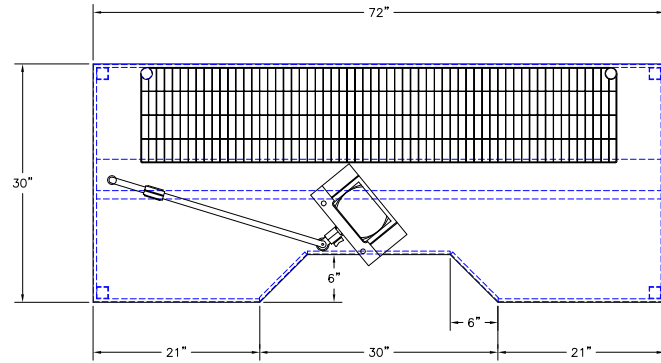
CPU Holder



Roll Cutter



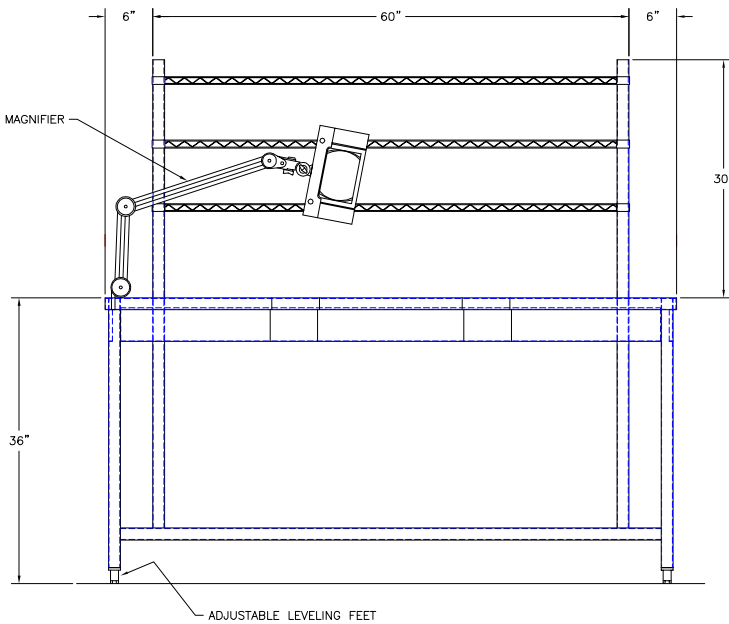
Roll Holder



--- APPROVED ---

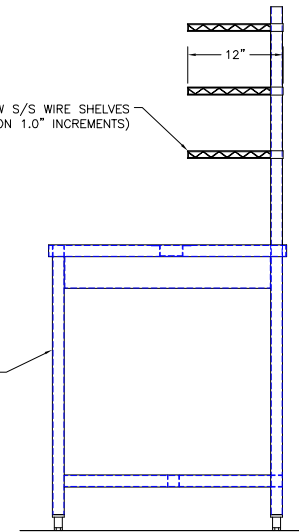
PRINT NAME:  
DATE:  
SIGNATURE:


6.0 DIOPTR FLUORESCENT MAGNIFIER



(3) 12.0" x 60.0" W S/S WIRE SHELVES  
(VERTICAL ADJ. ON 1.0" INCREMENTS)

1-1/2" SQ. S/S TUBING



UNLESS OTHERWISE SPECIFIED		REVISION		BY	DATE
TOLERANCES IN INCHES: FRACTIONAL ± 1/32 ANGULAR ± 0.25° ONE DECIMAL ± 0.063 TWO DECIMAL ± 0.031 THREE DECIMAL ± 0.015		 1671 ORCHARD DRIVE CHAMBERSBURG, PA 17201 Phone: (717) 261-9700 www.tbjinc.com			
SCALE	1-1/2"=1'-0"	1089-1	DRAWN BY	ALE	
REF	DWG - R05055		DATE	6-5-13	
PRDD. RELEASE	NAME	DATE	30-72 PT - PREP/PACK TABLE		
APPR. RELEASE			ROUGH-IN ASSEMBLY		
REVIEWED BY			R13075		
ENG APPR.					