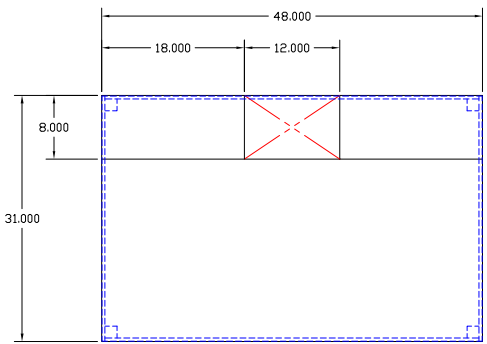


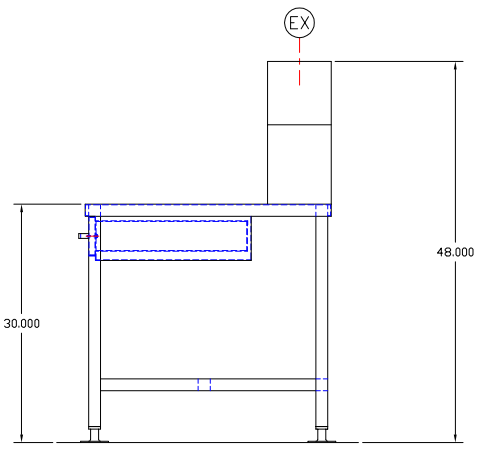
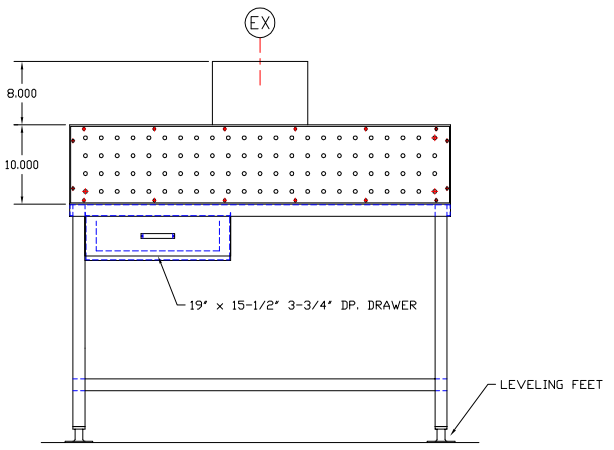
DRAWING NUMBER	
R98066	
REVISIONS	
REV.	DATE



UTILITY REQUIREMENTS

(EX) — EXHAUST - 8" x 12" DUCT

APPROVED  
 PRINT NAME:  
 DATE:  
 SIGNATURE:



This print is the property of TBJ Incorporated. The information contained herein is confidential, it is not transferable. It is furnished with the clear understanding that it is not to be traced, reproduced or used in any other process of manufacturing without written permission from the owner and is returnable upon request.

				<b>TBJ INC</b>		1671 ORCHARD D CHAMBERSBURG, PA	
				SCALE 1-1/2"=1'-0"		DRAWN BY AL	
				REF DWG -		DATE 10-2-15	
				30-48 BACKDRAFT WORKSTATI			
LET	REVISION	BY	DATE	ROUGH-IN ASSEMBLY		R980	