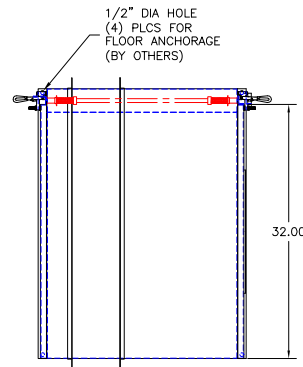


RAMP DETAIL
SCALE: 6"=1'-0"



CONSTRUCTION NOTES:

- CUT HOLE THROUGH WALL 81"H x 34-1/2"W
- INSTALL PASS THRU THROUGH WALL
- LAG PASS THRU TO THE FLOOR (4) PLCS
- RE-SEAL WALL OPENING AS REQUIRED
- INSTALL ADJUSTABLE TRIM FLANGE
- 16 GA STAINLESS STEEL TYPE 316
- 1/4" TEMPERED SAFETY GLASS (ROOM SIDE)
- SOLID DOOR (CORRIDOR SIDE)
- NEOPRENE GASKET DOOR SEALS

APPROVED

PRINT NAME: _____

DATE: _____

SIGNATURE: _____

		TBJ INCORPORATED		1671 ORCHARD DRIVE CHAMBERSBURG, PA 17201 Phone: (717) 261-9700 www.tbjinc.com	
		SCALE 1-1/2"=1'-0"	1830-1	DRAWN BY	NES
		REF DWG -		DATE	11-2-10
		PT 30-24-78 CART PASS THRU			
A	ADDED (3) ADJUSTABLE SHELVES	NES	3-28-12		
LET	REVISION	BY	DATE	ROUGH-IN ASSEMBLY	R10194