

UTILITIES

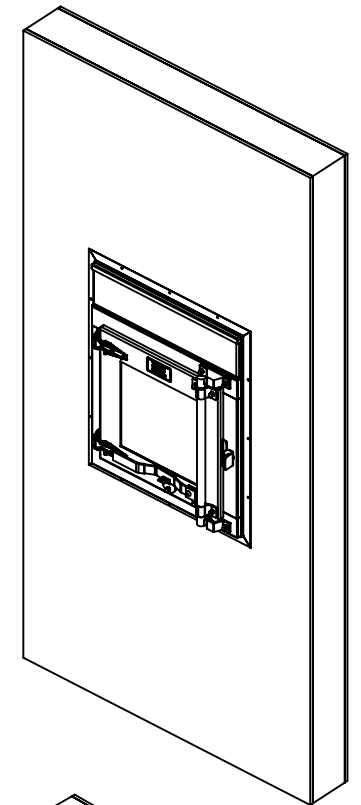
- (D) - Drain = 1/2" NPT
- (HP) - Vaporized Hydrogen Peroxide Inlets 2X 1/2" NPT
- (EX) - Exhaust 4" with Sanitary Fitting to Butterfly Valve
- (FA) - Filtered Air - Vacuum Hepa Filter

CONSTRUCTION NOTES

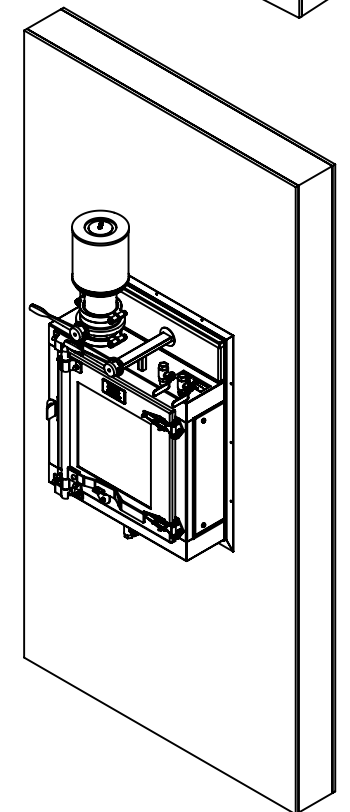
- PT 18-18-16 V is referred to as PTC3 - 2 Units Required
- Cut hole thru the wall 1/2" larger than Pass Thru Unit
- Install Pass Thru thru the wall
- Attach Utilities
- Reseal wall opening as required
- Install mitered trim angles to finish
- Hand rails by others

This print is the property of TBJ Incorporated. The information contained herein is confidential, it is not transferable. It is furnished with the clear understanding that it is not to be traced, reproduced or used in any process of manufacturing without written permission from the owner and is returnable upon request. Any infringement upon the patent rights shown herein, whether in whole or part, will be severely prosecuted.

Soiled Side View



Clean Side View



APPROVED

Print Name:

Date:

Signature:

TBJ Inc.
1671 Orchard Drive, Chambersburg, PA 17201
phone 717-261-9700 www.tbjinc.com
CONFIDENTIAL DOCUMENT

**Rough In Assembly
Pass Thru Vented
PT 18-18-16 V**

Material: Assembly

LTR	DESCRIPTION	DATE	BY	SIZE	DWG. NO.	REV.
				B	PT 18-18-16 V_0990-3A	#
REVISIONS				SCALE: 1:32	WEIGHT: 210.05	SHEET 2 OF 5