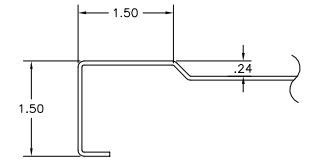
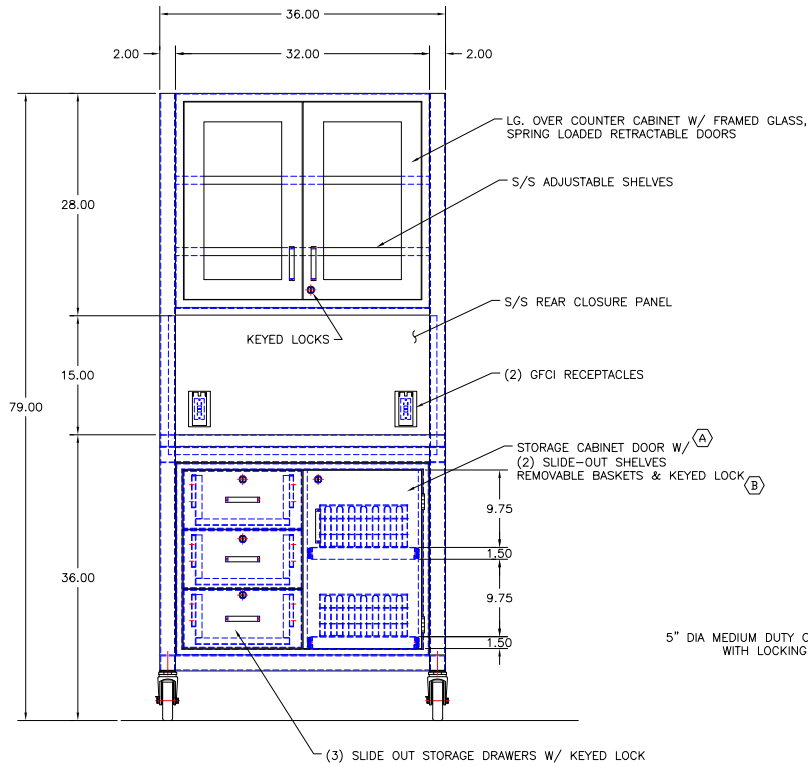
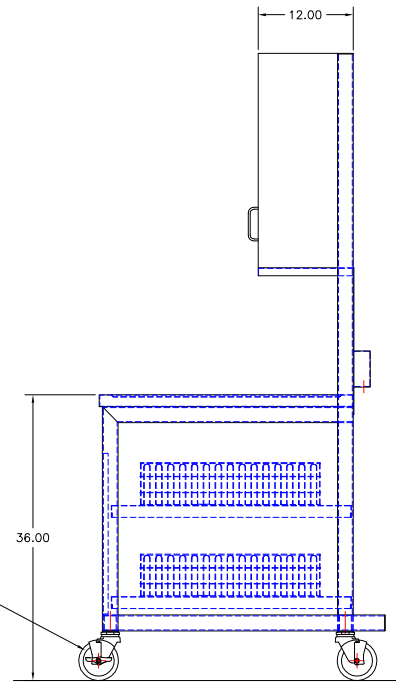


(E) ELECTRICAL-----115 V., 1 PH., 60 Hz., 15 AMP SERVICE PROVIDED WITH 8 FT. GROUNDED 90° PLUG IN CONNECTION



SECTION A-A
SCALE: FULL



5" DIA MEDIUM DUTY CASTERS WITH LOCKING BRAKE

APPROVED
PRINT NAME:
DATE:
SIGNATURE:

This print is the property of TBJ Incorporated. The information contained herein is confidential, it is not transferable. It is furnished with the clear understanding that it is not to be traced, reproduced or used in any other process of manufacturing without written permission from the owner and is returnable upon request.

MWS-3
PHOTO. RM.

		TBJ INC		1671 ORCHARD DRIVE CHAMBERSBURG, PA 17201	
		SCALE 1-1/2"=1'-0"		DRAWN BY ALE	
		REF DWG - R06018		DATE 4-18-06	
B	REDUCED UPPER CABINET - 12" WAS 14", ADDED MARINE EDGE, LOCKS & BASKETS; REMOVED LIGHT & SIDE SPLASH	ALE	2-2-07	MWS-3 - MOVABLE WORKSTATION	
A	ADDED (2) SLIDE-OUT SHELVES	ALE	12-12-06	PHOTO RM	
LET	REVISION	BY	DATE	R06095	