

APPROVED

PRINT NAME:

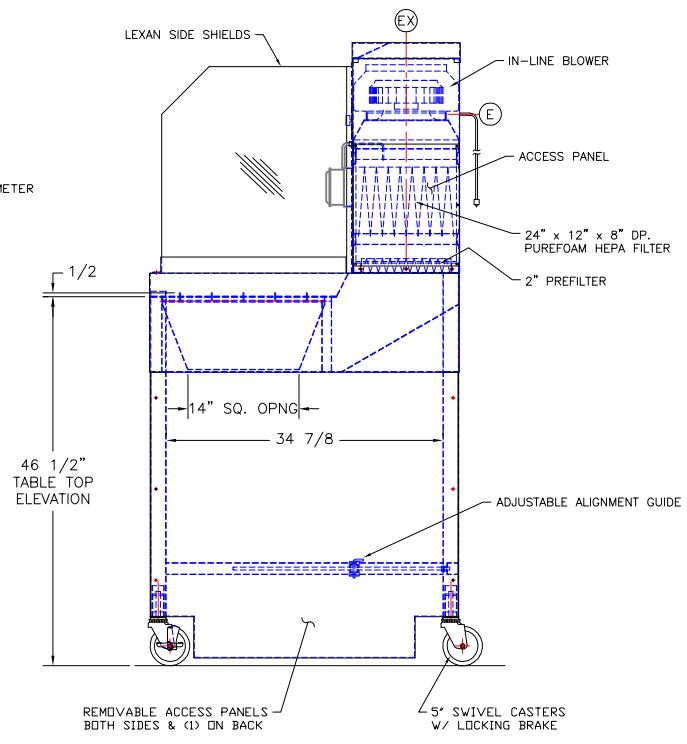
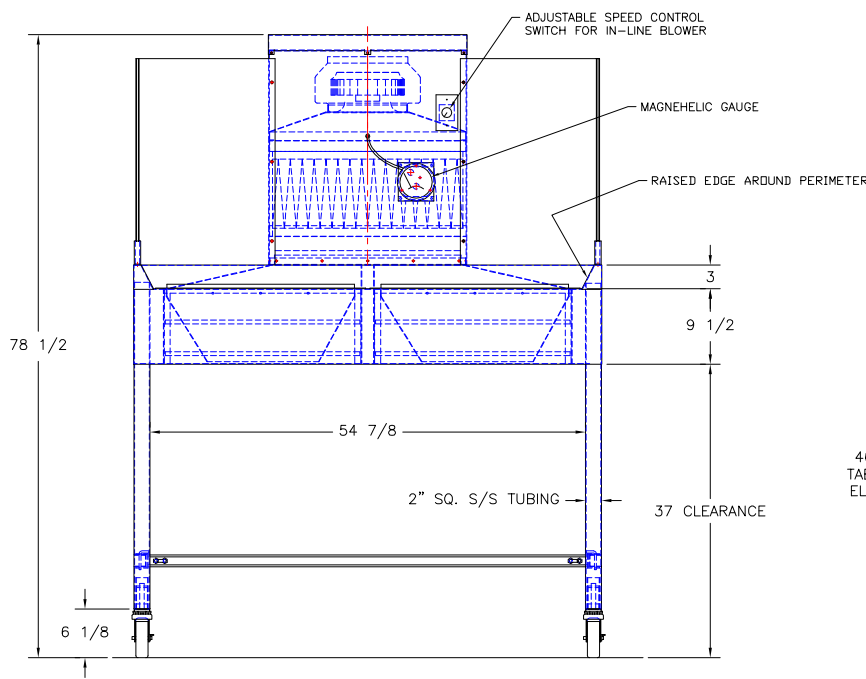
DATE:

SIGNATURE:

UTILITY REQUIREMENTS

(E) — ELECTRICAL — 115V., 1 PH., 60 Hz., 15 AMPS

NOTES: 1) MAXIMUM OVERALL DIMENSIONS MUST BE CONSIDERED FOR BUILDING ENTRY.



LET	REVISION	BY	DATE
TBJ INC			
SCALE 1-1/2"=1'-0"		DRAWN BY CWF	
REF DWG - R99022		DATE 12-11-02	
CUSTOM DOWNDRAFT SCRAPPING TABLE			
BSS-2DD (SELF CONTAINED)			R02236

1671 ORCHARD DRIVE
CHAMBERSBURG, PA 17201