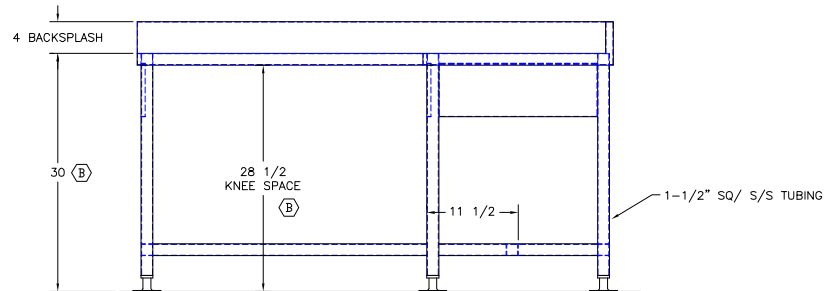
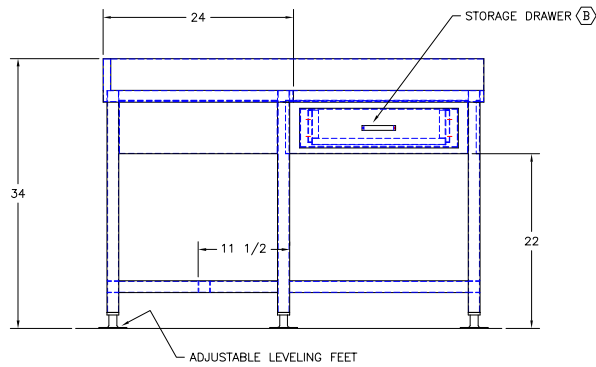


____ APPROVED ____

PRINT NAME:
 DATE:
 SIGNATURE:



LET	REVISION	BY	DATE
B	RELOCATED DRAWER 30" HT WAS 36" - REMOVED PANEL	CWF	2-27-07
A	ADDED DRAWER & INCREASED WORK HT. 60"	ALE	4-21-06
SCALE 1-1/2"=1'-0"		DRAWN BY ALE	
REF DWG -		DATE 4-4-06	
1671 ORCHARD DRIVE CHAMBERSBURG, PA 17201			
L-SHAPE S/S COUNTER TOP			
ROUGH-IN ASSEMBLY			R06083