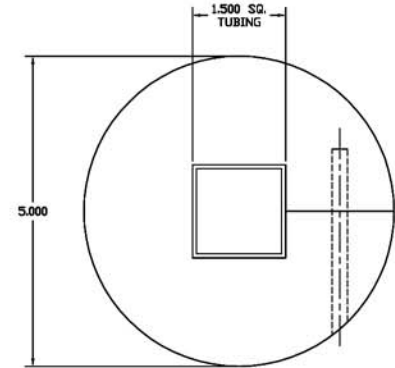
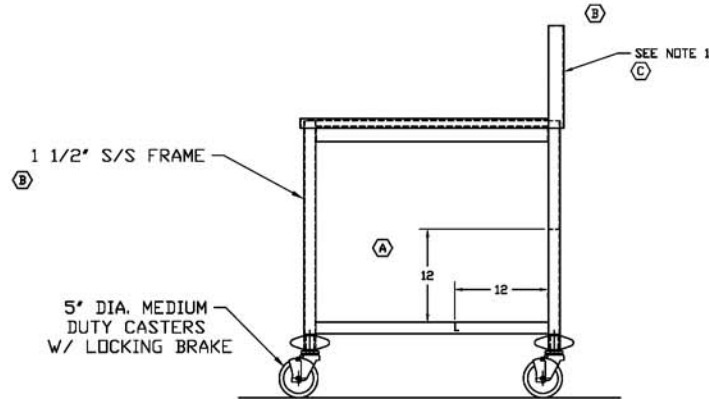
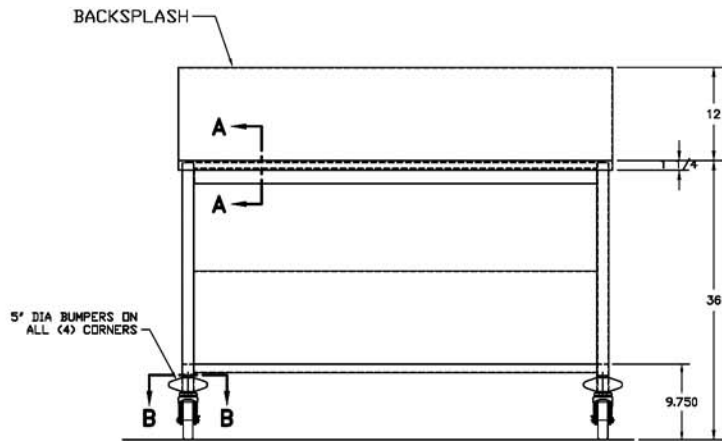


SECTION A-A
SCALE: FULL



SECTION B-B
SCALE: FULL



NOTE 1
BACK PANEL IS CONTINUOUS WELDED

APPROVED

PRINT NAME: _____
 DATE: _____
 SIGNATURE: _____

		TBJ INC		1671 ORCHARD DRIVE CHAMBERSBURG, PA 17201	
D	ADDED A LARGER 5" BUMPER	ALE	5-23-03	SCALE: 1 1/2"=1'-0"	DRAWN BY: CWF
C	ADDED BUMPERS & NOTE #1	CWF	5-13-03	REF: DWG - R02228	DATE: 11-18-02
B	1 1/2" S/S FRAME W/ 5" S/S FRAME REMOVED LIGHT	CWF	2-18-03	MODEL 34-56 MOBILE PROCEDURE TABLE	
A	REMOVED WORK AREA SIGN, REMOVED STORAGE CAB & ADDED SHELF, CHANGED LIGHT FEATURE AND REMOVED TOOL BAR	ALE	11-27-02		
LET	REVISION	BY	DATE	ROUGH-IN ASSY R02228	