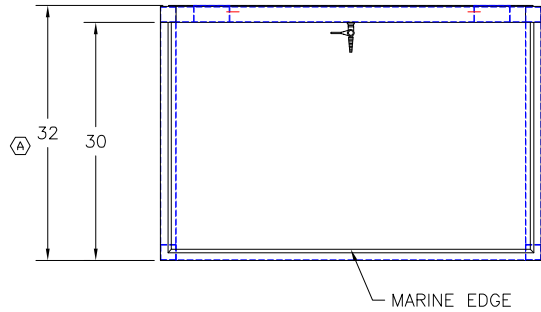
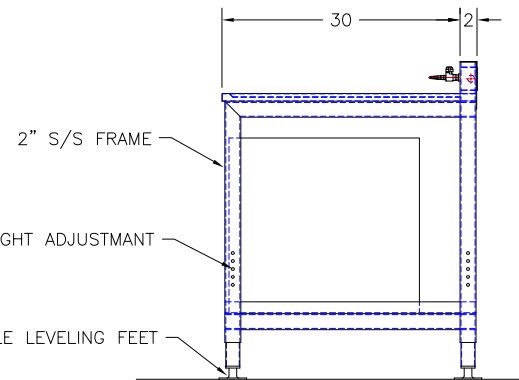
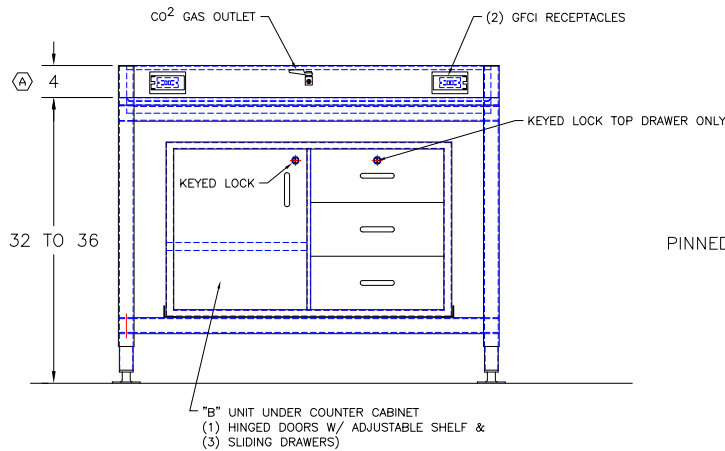


APPROVED



- Ⓢ — CARBON DIOXIDE GAS -- 1/2" I.P.S.
- ⓔ — ELECTRICAL ----- 115 V., 1 PH., 60 Hz., 15 AMP SERVICE PROVIDED WITH 6 FT. GROUNDED PLUG IN CONNECTION



32-42 WT

This print is the property of TBJ Incorporated. The information contained herein is confidential, it is not transferable. It is furnished with the clear understanding that it is not to be traced, reproduced or used in any other process of manufacturing without written permission from the owner and is returnable upon request.

NOTE: ALL LOCKS IN ROOM (128A) KEYED THE SAME

		TBJ INC		1671 ORCHARD DRIVE CHAMBERSBURG, PA 17201	
		SCALE 1-1/2"=1'-0"	0984-5	DRAWN BY CWF	
		REF DWG - R0424, R0605		DATE 1-23-06	
A	ADDED ADJ LEVELING FEET, REDUCED BACK SPLASH FROM 12" & REDUCED OVERALL WIDTH FROM 37" TO 32"	ALE	1-26-06	32-42 WT - S/S WORK TABLE	
LET	REVISION	BY	DATE	ROOM 128A	R06021