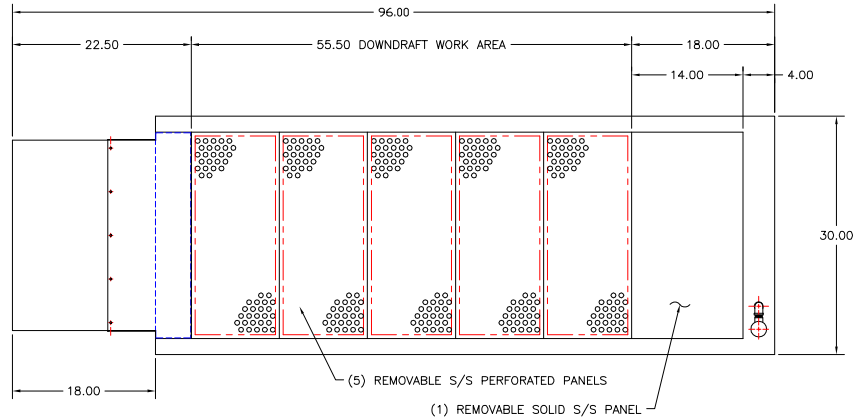


APPROVED

PRINT NAME: \_\_\_\_\_  
 DATE: \_\_\_\_\_  
 SIGNATURE: \_\_\_\_\_

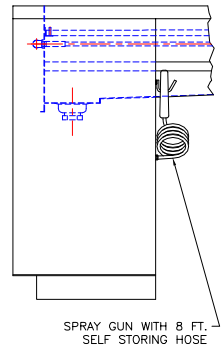
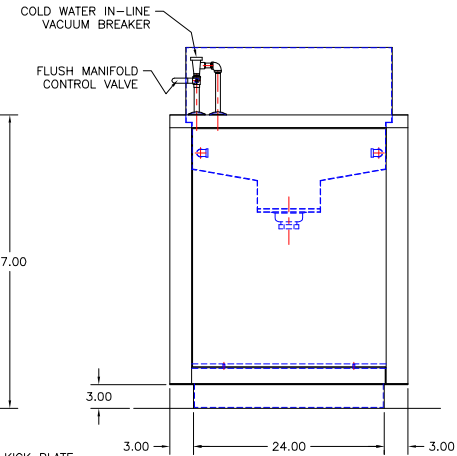
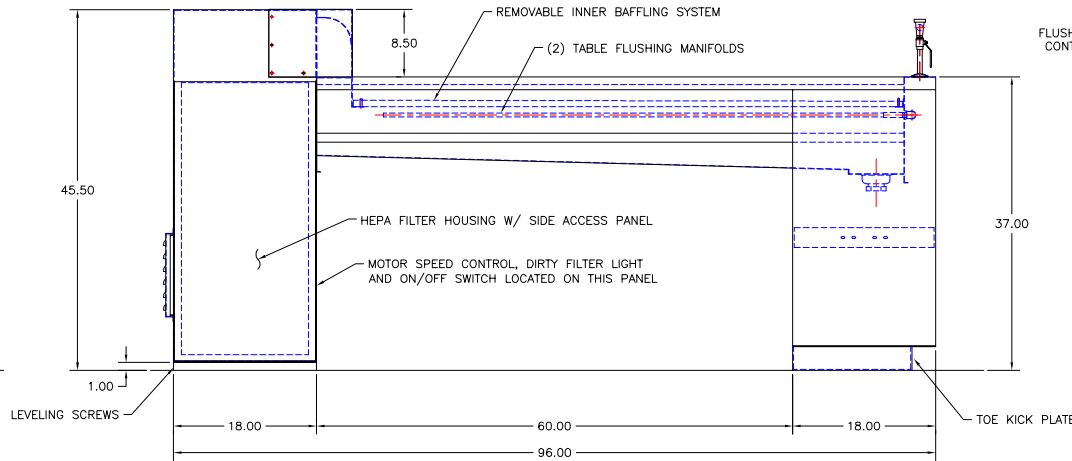
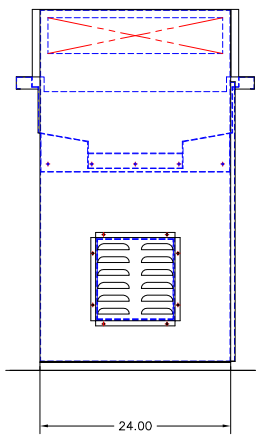


UTILITY REQUIREMENTS

- (E) ELECTRICAL - 115 V., 1 Ph., 60 Hz., 35 AMP
- (CW) COLD WATER - 3/4" I.P.S.
- (D) DRAIN - 1-1/2" NPT FLOOR DRAIN MIN

THE SELF-CONTAINED BLOWER AND HEPA FILTER HOUSING CONTAIN THE FOLLOWING FEATURES:

- 2" 30% PREFILTER
- (1) 4" 99.97% HEPA FILTER
- DIRECT DRIVE BLOWER - 1/2 HP, 115 V, 1 PH, 60 HZ
- MINIHELIC GUAGE
- VARIABLE MOTOR SPEED CONTROL TO INCREASE/DECREASE AIRFLOW AS DESIRED
- DIRTY FILTER LIGHT
- ON/OFF SWITCH
- DIFFERENTIAL PRESSURE SWITCH



				<b>TBJ INC</b>		1671 ORCHARD DRIVE CHAMBERSBURG, PA 17201	
				SCALE 1-1/2"=1'-0"	DRAWN BY ALE		
				REF DWG - R02220	DATE 12-6-05		
				MODEL 30-96-S DD-SC SELF-CONTAINED DOWNDRAFT OPERATING TABLE			
LET	REVISION	BY	DATE	ROUGH-IN ASSEMBLY	R05231		