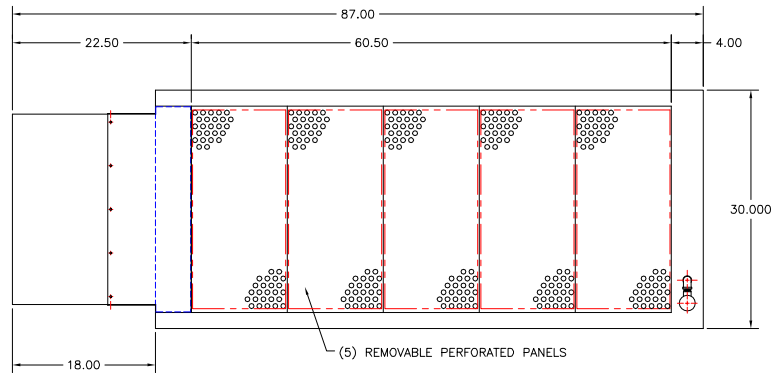


APPROVED
 PRINT NAME: _____
 DATE: _____
 SIGNATURE: _____

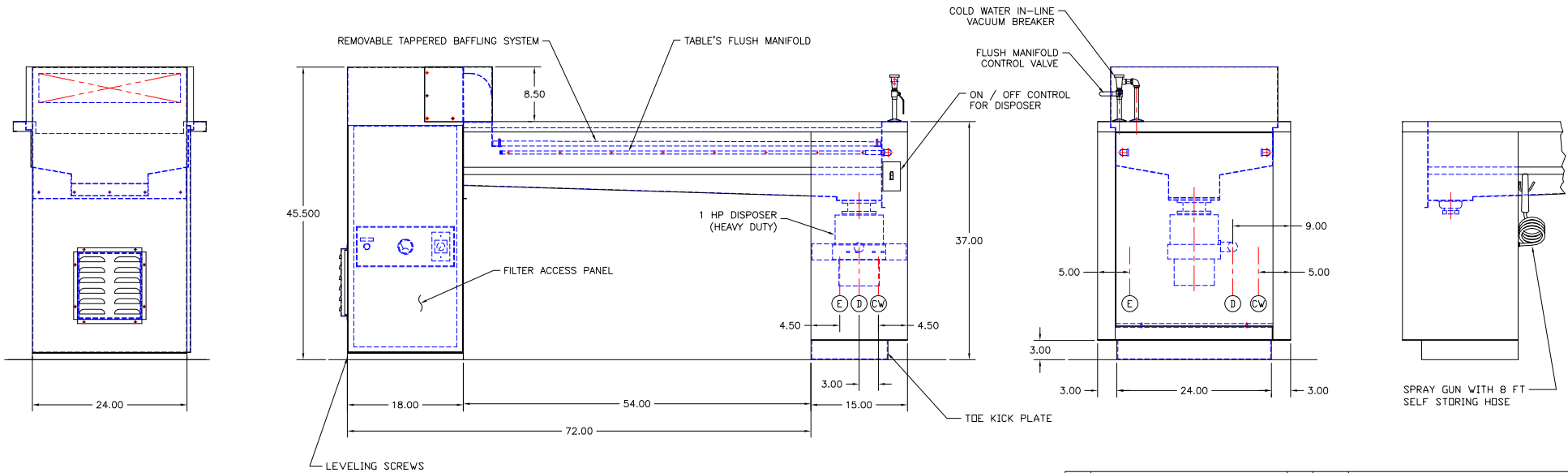


UTILITY REQUIREMENTS

- (E) — ELECTRICAL — 115 V., 1 PH., 60 Hz., 30 AMP.
- (CW) — COLD WATER — 3/4" I.P.S.
- (D) — DRAIN — 1-1/2" NPT FLOOR DRAIN MIN
- (EX) — EXHAUST — SELF-CONTAINED

THE SELF-CONTAINED BLOWER AND FILTER HOUSING CONTAIN THE FOLLOWING FEATURES:

- 2" 30% PREFILTER
- (1) 4" 99.97% HEPA FILTER
- DIRECT DRIVE BLOWER — 1/2 HP, 115 V, 1 PH, 60 HZ
- MINIHELIC GAUGE
- VARIABLE MOTOR SPEED CONTROL TO INCREASE/DECREASE AIRFLOW AS DESIRED
- DIRTY FILTER LIGHT
- ON/OFF SWITCH
- DIFFERENTIAL PRESSURE SWITCH



This print is the property of TBJ Incorporated. The information contained herein is confidential, it is not transferable. It is furnished with the clear understanding that it is not to be traced, reproduced or used in any other process of manufacturing without written permission from the owner and is returnable upon request.

TBJ INC				1671 ORCHARD DRIVE CHAMBERSBURG, PA 17201	
SCALE 1-1/2"=1'-0"		DRAWN BY JEG		DATE 2-9-07	
REF DWG - R07009		MODEL 30-87 DD-SC		SELF-CONTAINED DOWNDRAFT OPERATING TABLE	
LET	REVISION	BY	DATE	ROUGH-IN ASSEMBLY	R07023