

UTILITY REQUIREMENTS

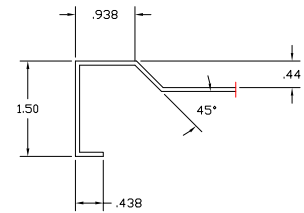
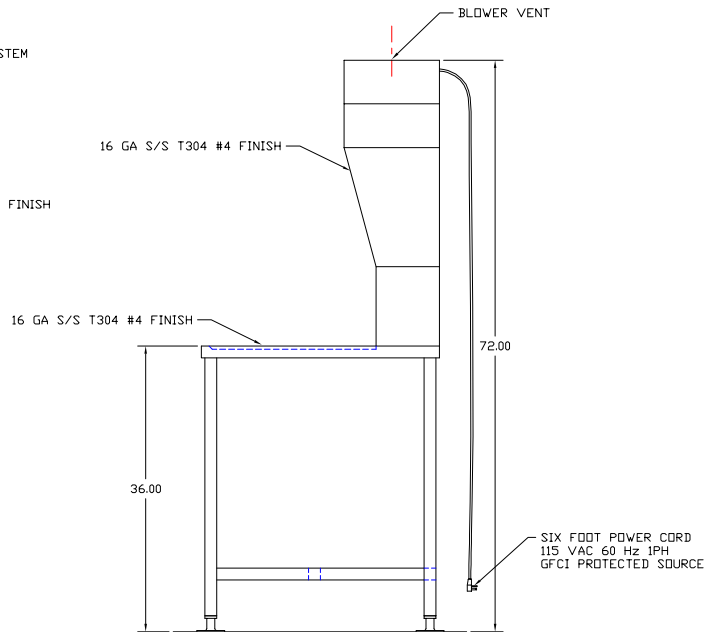
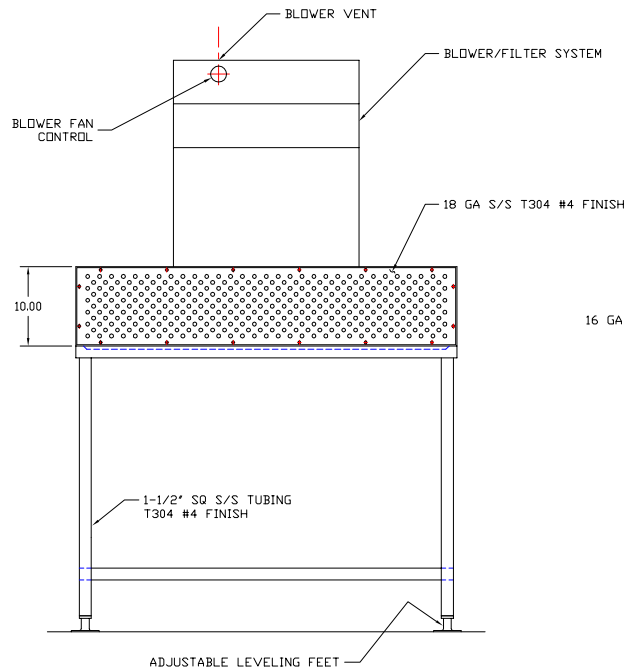
(E) — ELECTRICAL — 115 V., 1 PH., 60 Hz., 15 AMP

INCLUDED OPTIONS

- SELF CONTAINED BLOWER/FILTER - 530 CFM

APPROVED

PRINT NAME:  
DATE:  
SIGNATURE:



SECTION A-A  
SCALE: FULL

- NOTE:  
1. WELDED CONSTRUCTION.  
2. ALL EXPOSED WELDED SEAMS AND JOINTS, GRIND AND POLISHED TO A SMOOTH FINISH.

This print is the property of TBJ Incorporated. The information contained herein is confidential, it is not transferable. It is furnished with the clear understanding that it is not to be traced, reproduced or used in any other process of manufacturing without written permission from the owner and is returnable upon request.

		<b>TBJ INC</b>		1671 ORCHARD DRIVE CHAMBERSBURG, PA 17201	
SCALE	NTS	1054-1	DRAWN BY	JEG	
REF DWG	R04161		DATE	9-29-06	
30-48 BACKDRAFT TABLE					
LET	REVISION	BY	DATE	ROUGH-IN ASSEMBLY	R06241