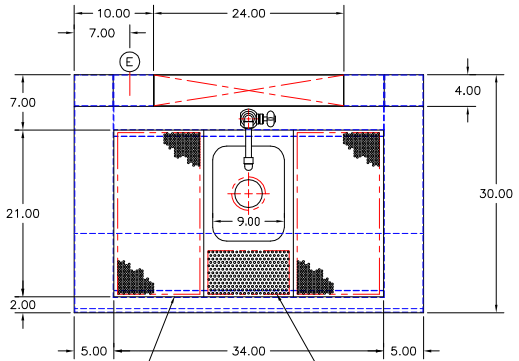


APPROVED

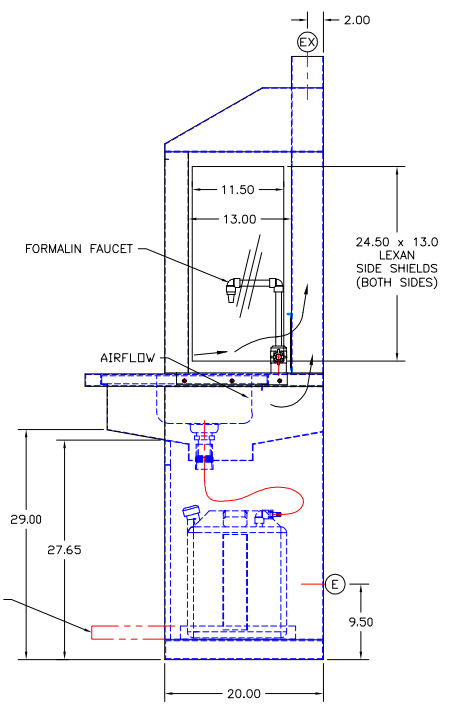
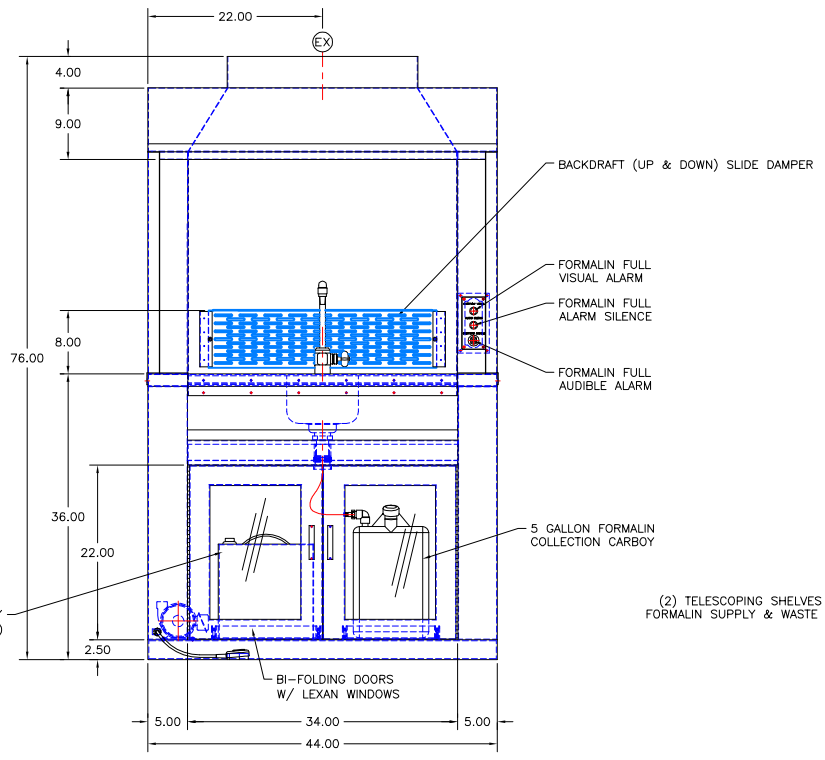
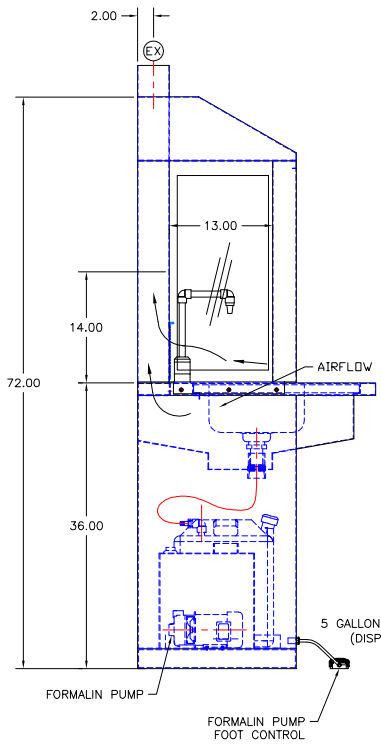
PRINT NAME:
DATE:
SIGNATURE:



UTILITY REQUIREMENTS

- (E) — ELECTRICAL — 115 V., 1 PH., 60 Hz., 20 AMP SERVICE
- (F) — FORMALIN — 5 GALLON CONTAINER
- (EX) — EXHAUST — 4" x 24" OUTSIDE DIMS., 385 CFM

(2) REMOVABLE PERFORATED PANEL W/ 1/8" DIA HOLES ON 3/16 CTRS
LIFT OUT SINK SECTION — 12" X 9" X 6" DP. (PERFORATION 1/8 DIA. HOLES ON 1/4" CTRS)



(2) TELESCOPING SHELVES TO ACCESS FORMALIN SUPPLY & WASTE CONTAINERS

This print is the property of TBJ Incorporated. The information contained herein is confidential, it is not transferable. It is furnished with the clear understanding that it is not to be traced, reproduced or used in any other process of manufacturing without written permission from the owner and is returnable upon request.

				TBJ INC		1671 ORCHARD DRIVE CHAMBERSBURG, PA 17201	
				SCALE 1-1/2"=1'-0"		DRAWN BY ALE	
				REF DWG - R04008, R05065		DATE 6-19-06	
				30-44 FORMALIN DISPENSING STATION			
LET	REVISION	BY	DATE	DS 30-44 DD/BD WS	R06170		