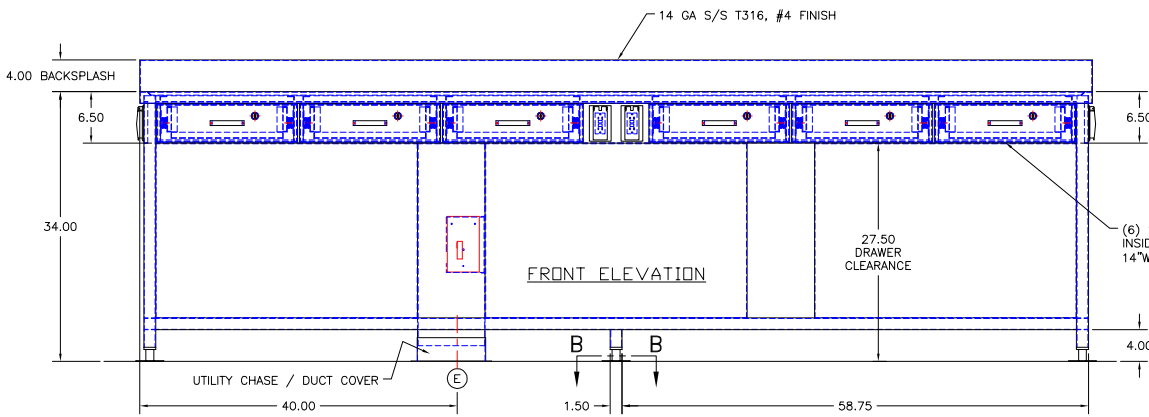


SECTION A-A
SCALE: FULL

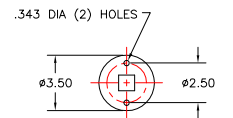
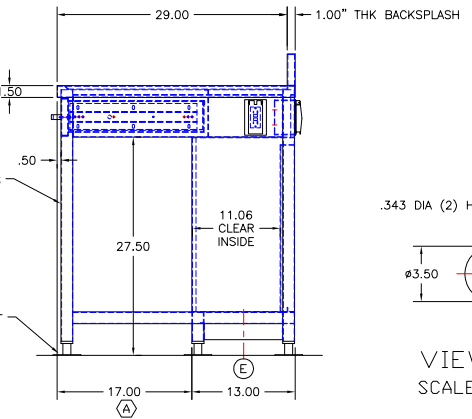
APPROVED

PRINT NAME: _____
 DATE: _____
 SIGNATURE: _____



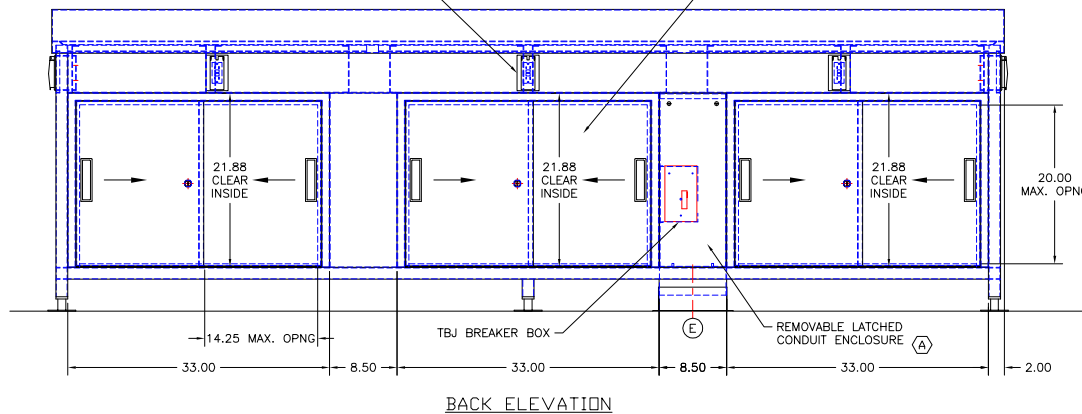
1-1/2" SQ. S/S LEG SUPPORTS

(6) S/S DRAWER W/ LOCKS
INSIDE CLEAR DIMENSIONS
14"W x 17"D x 4"H MIN.



VIEW B-B
SCALE: 3"=1'-0"

- (7) GFCI RECEPTACLES PRE-WIRED W/ WATERPROOF COVERS
- (3) S/S MICROSCOPE CABINETS W/ LOCKS & (2) SLIDING DOORS EACH
INSIDE CLEAR DIMENSIONS - 37" W x 20.5H x 11" DP.



BACK ELEVATION

SIDE ELEVATION

UTILITY REQUIREMENTS

(E) — ELECTRICAL — 115 V., 1 PH., 60 Hz., 15 AMP

- NOTES: 1) MAX. OVERALL DIMENSIONS MUST BE CONSIDERED FOR BUILDING ENTRY.
 2) ALL SEISMIC ANCHORING AND ANALYSIS IS BY OTHER.

		TBJ INC		1671 ORCHARD DRIVE CHAMBERSBURG, PA 17201	
		SCALE: 1/2"=1'-0"		DRAWN BY: ALE	
		REF: DWG - R06210		DATE: 11-9-10	
A		REMOVED FRONT SUPPORTS; ADDED WIRE CHASE & LOCKS ON CABINETS; UPDATED MIN KNEE SPACE	ALE	11-24-10	
LET		REVISION	BY	DATE	MODEL 30-120 NVWT LAB BENCH - RH
					ROUGH-IN ASSY R10197