

UTILITY REQUIREMENTS

- Ⓔ — ELECTRICAL — 480 V., 3PH., 60 Hz., 15 AMPS
- ⒸⒺ — COLD WATER — 1" NPT PLUMBING THROUGHOUT
- Ⓓ — DRAIN — 3-1/2" NPT

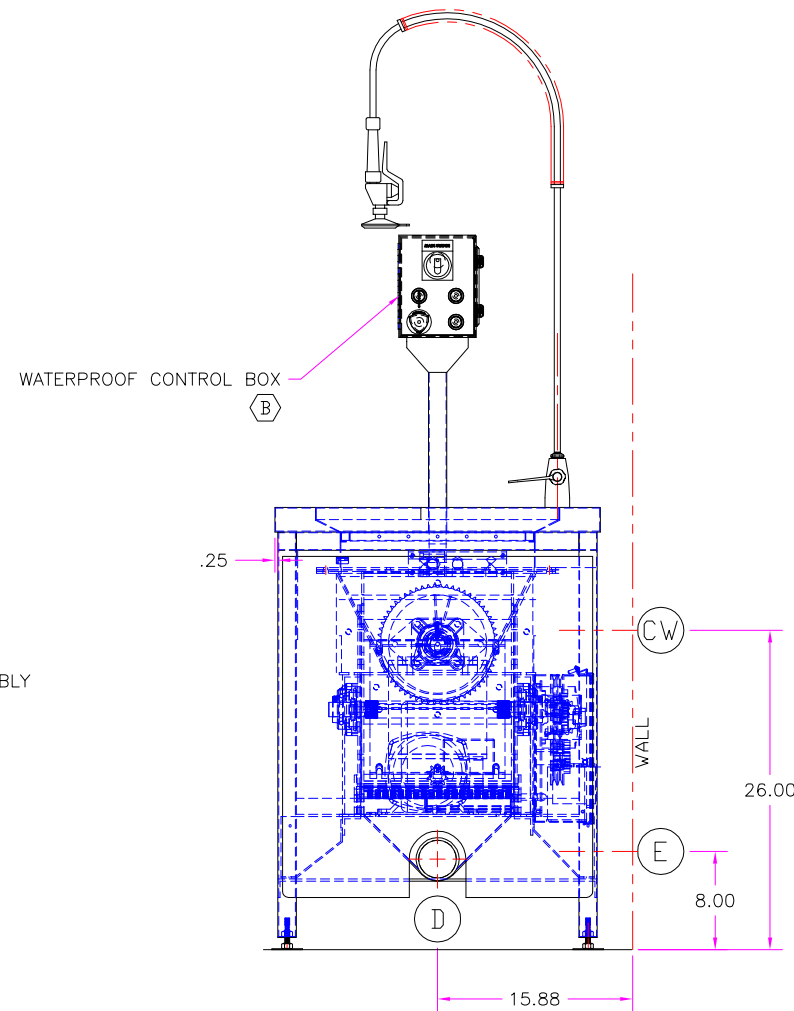
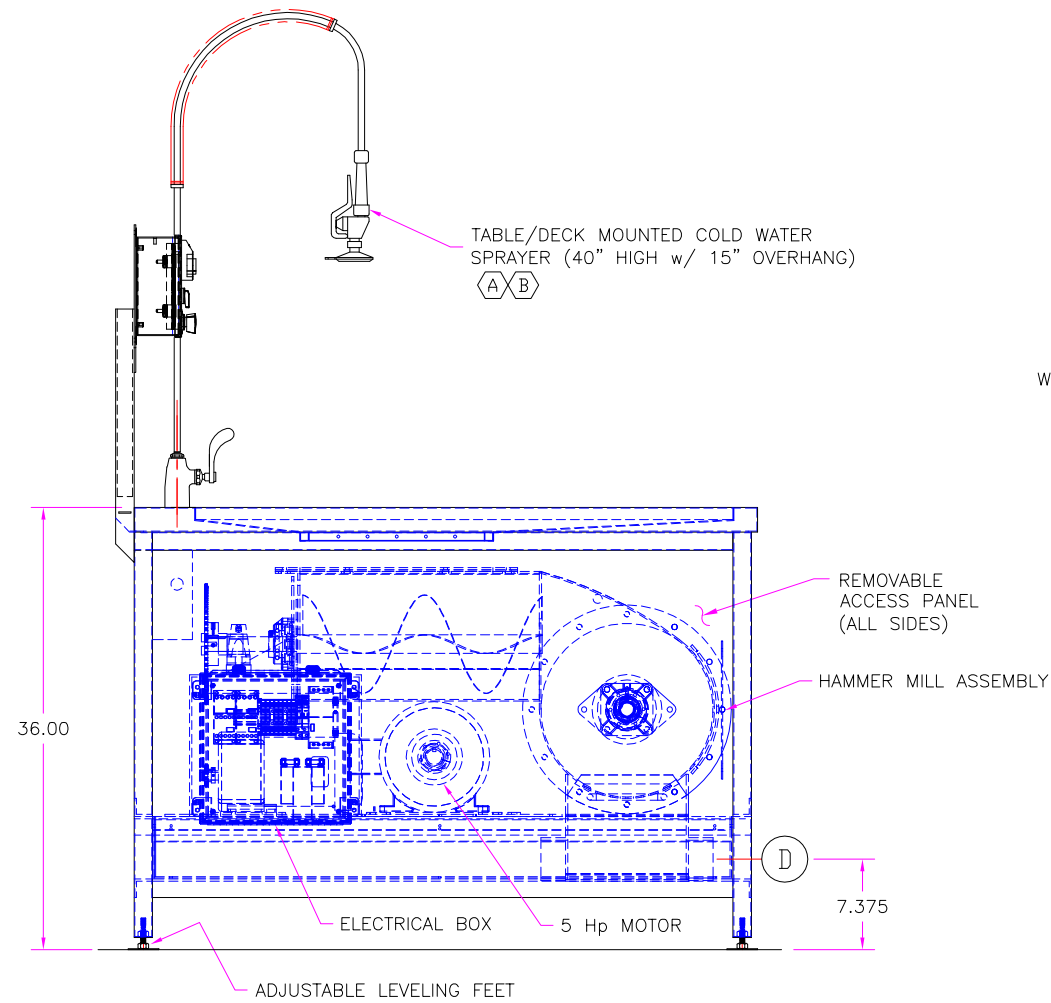
FOR APPROVAL ONLY

ONE (1) SET OF APPROVAL PRINTS MUST BE SIGNED AND RETURNED TO TBJ INC. BEFORE EQUIPMENT CAN BE RELEASED FOR PRODUCTION

- APPROVED AS DRAWN FOR FABRICATION
- NOT APPROVED — REVISE & RESUBMIT FOR FINAL APPROVAL


SIGNED _____

DATE _____



NOTE:
SHOWN IN RIGHT HAND CONFIGURATION
LEFT HAND CONFIGURATION AVAILABLE

D	CENTERED DISCHARGE AND SINK PAN	SMH	8/26/15
C	ADDED 1" PLUMBING THROUGHOUT	BAB	4/13/15
B	REMOVED BACKSPLASH, MOVED FAUCET AND CONTROL BOX	BAB	4/2/15
A	REMOVED HOT WATER FROM SPRAYER	BAB	2/24/15

LET	REVISION	BY	DATE
			
1671 ORCHARD DRIVE CHAMBERSBURG, PA 17201			
Phone: (717) 261-9700		www.tbjinc.com	
SCALE 1-1/2"=1'-0"	2362-1	DRAWN BY ALE	
REF DWG - R12083		DATE 1-14-15	

UNLESS OTHERWISE SPECIFIED:
TOLERANCES IN INCHES:
FRACTIONAL ± 1/32
ANGULAR ± 0°25'
ONE DECIMAL ± 0.063
TWO DECIMAL ± 0.031
THREE DECIMAL ± 0.015

	NAME	DATE
PRODD. RELEASE	SMH	8-26-15
APPR. RELEASE	JD	2-25-15
REVIEWED BY	NES	2-25-15
ENG APPR.		

VB-400-NV - DUMP STATION	
ROUGH-IN ASSEMBLY	R15011